

Overview

- 50 ... 300 mm
- pulsed red laser diode
- analog
- external
- connector M12 8 pin
- 50 °C
- IP 69K & proTect+



Picture similar



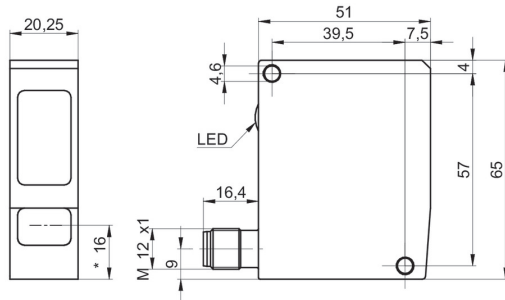
Technical data

General data		Electrical data	
Measuring distance Sd	50 ... 300 mm	Current consumption max. (no load)	100 mA
Special type	Washdown design	Output circuit	Analog
Adjustment	External	Output signal	4 ... 20 mA / 0 ... 10 VDC
Teach-in range min.	> 5 mm	Load resistance (analog I)	< (+Vs - 6 V) / 0,02 A
Power on indication	LED green	Load resistance (analog U)	> 100 kOhm
Soiled lens indicator	LED red	Output current	< 100 mA
Resolution	10 ... 330 µm	Alarm output	PNP
Linearity error	± 0,03 ... 1 mm	Short circuit protection	Yes
Beam type	Line	Reverse polarity protection	Yes, Vs to GND
Beam width	2,5 mm	Mechanical data	
Beam height	4 ... 12 mm	Width / diameter	20,3 mm
Temperature drift	< 0,03 % Sde/K	Height / length	65 mm
Approvals/certificates	Ecolab	Depth	51 mm
Light Source		Type	Rectangular
Light source	Pulsed red laser diode	Housing material	Stainless steel 1.4404 (V4A)
Wave length	650 nm	Front (optics)	PMMA
Laser class	2	Connection types	Connector M12 8 pin
Electrical data		Ambient conditions	
Response time / release time	< 0,9 ms	Ambient light immunity	< 8 kLux
Voltage supply range +Vs	12 ... 28 VDC	Operating temperature	0 ... +50 °C
		Protection class	IP 69K & proTect+

Remarks


- Sensor FDA compliant and Ecolab approved
- Sensitivity adjustable: via Teach-in wire input

Dimension drawing



- * emitter axis

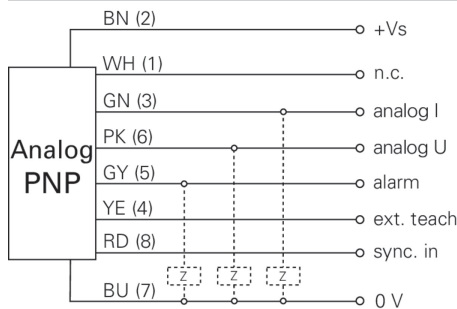
Laser warning



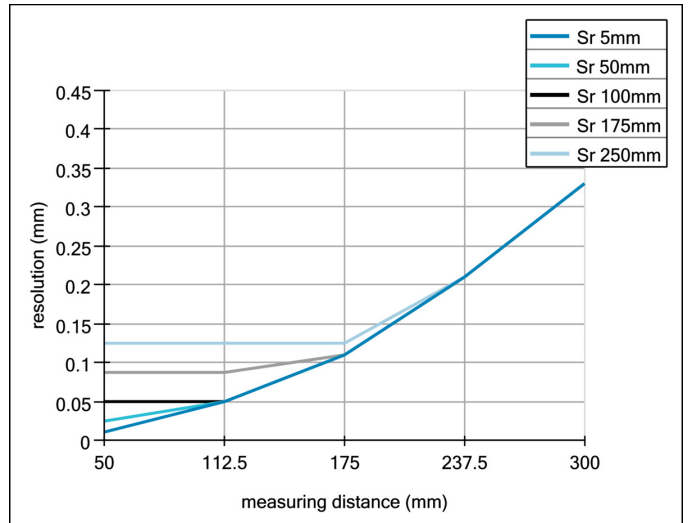
LASER RADIATION
DO NOT STARE INTO BEAM
Wavelength: 640...670nm
IEC 60825-1, Ed. 3, 2014
CLASS 2 LASER PRODUCT

IEC 60825-1/2014 Complies with 21 CFR 1040.10 and 1040.11 except for conformance with IEC 60825-1 Ed. 3., as described in Laser Notice No. 56, dated May 8, 2019

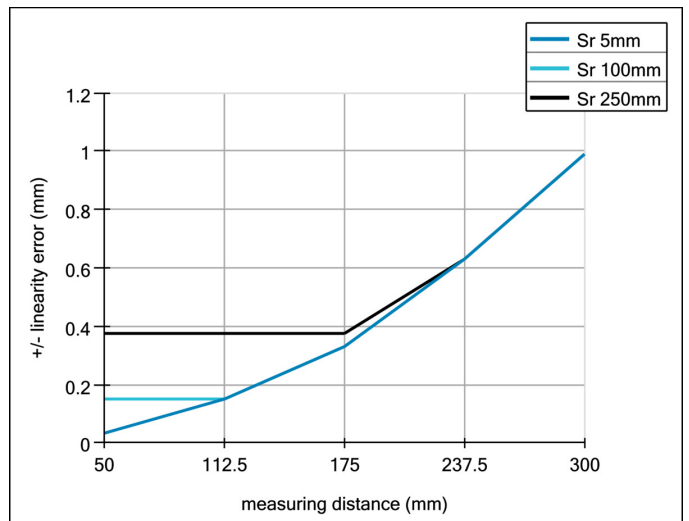
Connection diagram



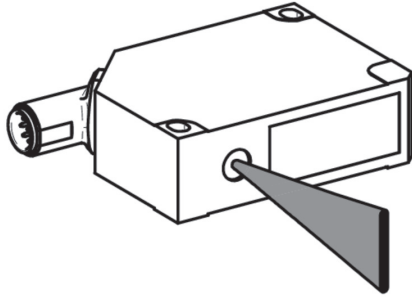
Resolution



Linearity error



Beam characteristic (typically)



Alignment of the laserline

