

**Overview**

- 30 ... 130 mm
- pulsed red laser diode
- analog
- external
- connector M12 8 pin
- 50 °C
- IP 69K & proTect+



Picture similar



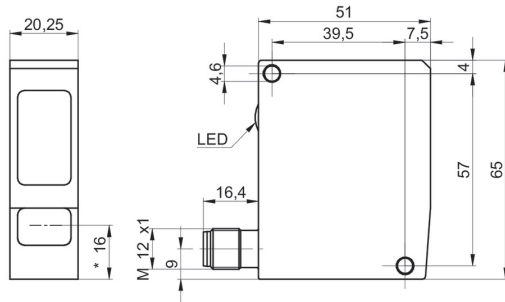
**Technical data**

| General data                       |                        | Electrical data             |                              |
|------------------------------------|------------------------|-----------------------------|------------------------------|
| Measuring distance Sd              | 30 ... 130 mm          | Output circuit              | Analog                       |
| Special type                       | Washdown design        | Output signal               | 4 ... 20 mA / 0 ... 10 VDC   |
| Beam diameter                      | 2 ... 1 mm             | Load resistance (analog I)  | < (+Vs - 6 V) / 0,02 A       |
| Adjustment                         | External               | Load resistance (analog U)  | > 100 kOhm                   |
| Teach-in range min.                | > 3 mm                 | Output current              | < 100 mA                     |
| Power on indication                | LED green              | Alarm output                | PNP                          |
| Soiled lens indicator              | LED red                | Short circuit protection    | Yes                          |
| Resolution                         | 5 ... 60 µm            | Reverse polarity protection | Yes, Vs to GND               |
| Linearity error                    | ± 0,015 ... 0,2 mm     | Mechanical data             |                              |
| Beam type                          | Point                  | Width / diameter            | 20,3 mm                      |
| Temperature drift                  | < 0,03 % Sde/K         | Height / length             | 65 mm                        |
| Approvals/certificates             | Ecolab                 | Depth                       | 51 mm                        |
| Light Source                       |                        | Type                        | Rectangular                  |
| Light source                       | Pulsed red laser diode | Housing material            | Stainless steel 1.4404 (V4A) |
| Wave length                        | 650 nm                 | Front (optics)              | PMMA                         |
| Laser class                        | 2                      | Connection types            | Connector M12 8 pin          |
| Electrical data                    |                        | Ambient conditions          |                              |
| Response time / release time       | < 0,9 ms               | Ambient light immunity      | < 40 kLux                    |
| Voltage supply range +Vs           | 12 ... 28 VDC          | Operating temperature       | 0 ... +50 °C                 |
| Current consumption max. (no load) | 100 mA                 | Protection class            | IP 69K & proTect+            |

### Remarks


- Sensor FDA compliant and Ecolab approved
- Sensitivity adjustable: via Teach-in wire input

### Dimension drawing



- \* emitter axis

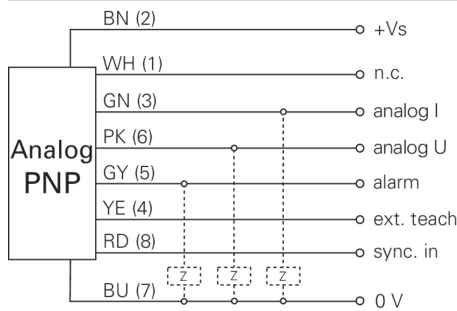
### Laser warning



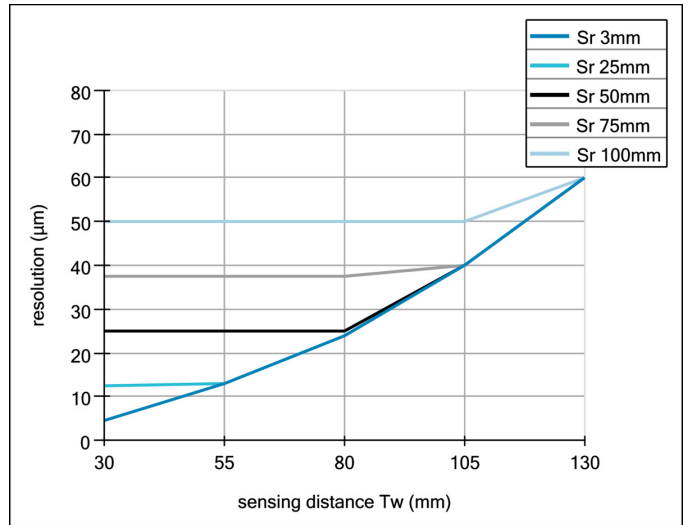
**LASER RADIATION**  
**DO NOT STARE INTO BEAM**  
 Wavelength: 640...670nm  
 IEC 60825-1, Ed. 3, 2014  
**CLASS 2 LASER PRODUCT**

IEC 60825-1/2014 Complies with 21 CFR 1040.10 and 1040.11 except for conformance with IEC 60825-1 Ed. 3., as described in Laser Notice No. 56, dated May 8, 2019

### Connection diagram



### Resolution



### Linearity error

