

Preset counters electronic

2 presets, totalizer

Display LED, 5-digits, programmable

NE216



NE216 - LED Preset counter

Features

- Preset counter with two presets
- Display 5-digits
- Totalizer, hour counter
- Operating mode, start count, scaling factor programmable
- Connection: Incremental encoder or digital sensors
- Step and trailing preset programmable
- Interface RS485

Technical data - electrical ratings

Voltage supply	85...265 VAC (50/60 Hz) 12...30 VDC
Power consumption	5 VA, 5 W
Sensor supply	85...265 VAC: 24 VDC $\pm 20\%$ /100 mA 12...30 VDC: 9-28 VDC/100 mA
Display	LED, 7-segment display
Number of digits	5-digits
Digit height	7.6 mm
Function	Preset counter, Main counter with 2 presets, Totalizer, Hour counter
Scaling factor	0.0001...9999.99
Count modes	Adding or subtracting Difference counting A-B Total (parallel) A+B Up/Down A 90° B phase evaluation
Counting frequency	3 Hz, 25 Hz, 10 kHz programmable
Preset	2 presets
Operating modes	Step preset, Trailing preset, Time meter and hour counter
Data memory	>10 years in EEPROM
Reset	Button, electric or automatic
Outputs electronic	Optocoupler
Outputs relay	Normally open or closed, programmable
Output holding time	0.01...99.99 s
Interface	RS485
Standard DIN EN 61010-1	Protection class II Overvoltage category II Pollution degree 2
Emitted interference	DIN EN 61000-6-4
Interference immunity	DIN EN 61000-6-2

Technical data - electrical ratings

Programmable parameters	Operating modes Sensor logic Scaling factor Count mode Control inputs
Approval	UL approval / E63076

Technical data - mechanical design

Ambient temperature	0...+50 °C
Storage temperature	-20...+70 °C
Relative humidity	80 % non-condensing
Connection	Plug-in screw terminal connector
Core cross-section	1.5 mm ²
Protection DIN EN 60529	IP 65 (face with seal)
Operation / keypad	Membrane with softkeys
Housing type	Built-in housing
Dimensions W x H x L	48 x 48 x 100 mm
Mounting depth	100 mm
Mounting type	Clip frame for built-in housing
Cutout dimensions	45 x 45 mm (+0.6)
Weight approx.	150 g (12-30 VDC/85-265 VAC), 250 g (24/48 VAC)
Materials	Housing: Makrolon 6485 (PC) Keypad: Polyester

Preset counters electronic

2 presets, totalizer

Display LED, 5-digits, programmable

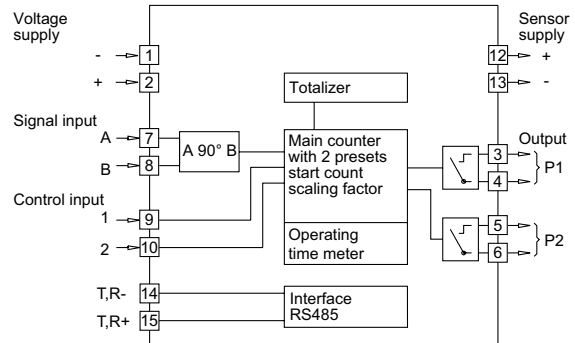
NE216

Part number

NE216. AX01

- Voltage supply
 - 2 85...265 VAC
 - 3 12...30 VDC
- Outputs
 - 1 Relay outputs
 - 2 Electronic outputs
- Interface
 - 0 Without interface
 - 1 RS485

Block circuit diagram



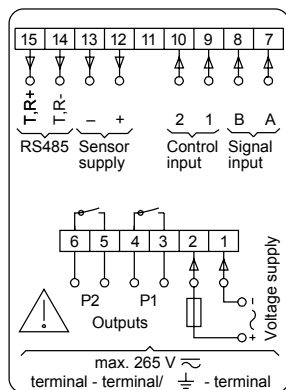
Accessories

Adaptor plates

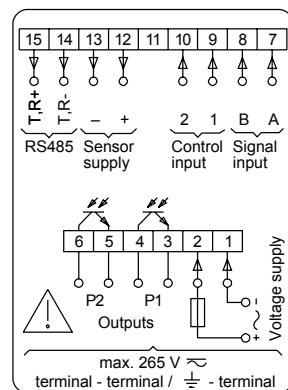
- | | |
|----------|---|
| 10127669 | Adaptor plate for screw mount, face 60 x 75 mm (Z 118.033) |
| 10132410 | Adaptor plate for clip frame mount, face 53.2 x 53.2 mm (Z 118.034) |
| 10133941 | Adaptor plate for clip frame mount, face 60 x 75 mm (Z 118.035) |

Connection diagram

Relay outputs



Electronic outputs



Trigger level

Comparator inputs	Input circuit
Inputs	PNP- / NPN-logic
Input level	Programmable
Input level Low	0...2 VDC
Input level High	3...40 VDC
Input resistance	3 kΩ
Relay outputs	Output circuit
Switching voltage max.	250 VAC / 110 VDC
Switching current max.	1 A
Switching capacity max.	150 VA / 30 W
Relay responding time	5 ms

Electronical outputs	Output circuit
	Optocoupler short-circuit proof
Switching voltage max.	40 V
Switching current max.	25 mA
Residual voltage	<1 V

Dimensions

