

Target displays

Plug-on mount, enter key, manual format adjustment

Display LCD two lines, interface RS485

N 155



N 155 with connector output

Features

- Target display for manual format adjustment
- One key permanently assigned as target
- Display: LCD backlit, two lines
- Actual value and target display
- Interface RS485
- With or without LED status display

Technical data - electrical ratings

| | |
|----------------------------|---|
| Voltage supply | 24 VDC $\pm 10\%$ |
| Current consumption | ≤ 30 mA |
| Display | LCD, 7-segment display, 2-lines, backlit |
| Display range | -9999...+99999 |
| LED operating status | Green: actual value = set value accepted Red: actual value \neq set value |
| Interface | RS485 (ASCII protocol) |
| Data memory | >10 years in EEPROM |
| Programmable parameters | Measuring unit mm/inch Direction arrows Decimal point |
| Standard DIN EN 61010-1 | Protection class II Overvoltage category II Pollution degree 2 |
| Emitted interference | DIN EN 61000-6-3 |
| Interference immunity | DIN EN 61000-6-2 |
| Approval | UL approval / E63076 |

Technical data - mechanical design

| | |
|-------------------------|---|
| Protection DIN EN 60529 | IP 54 |
| Operating temperature | -10...+50 °C |
| Storage temperature | -20...+70 °C |
| Relative humidity | 80 % non-condensing |
| Connection | - Male/female connector M8, 4-pin - Cable output (30/15 cm) with male/female connector M8, 4-pin - Cable output (30/15 cm) with male/female connector M16, 5-pin |
| Operation / keypad | Membrane with one softkey (handshake) |
| Housing type | Surface mount housing with mounting plate |
| Dimensions | 37 x 75 x 29 mm |
| Mounting type | Mount onto plate |
| Weight approx. | 60 g |
| Material | Polyamide black, UL 94V-0 |

Target displays

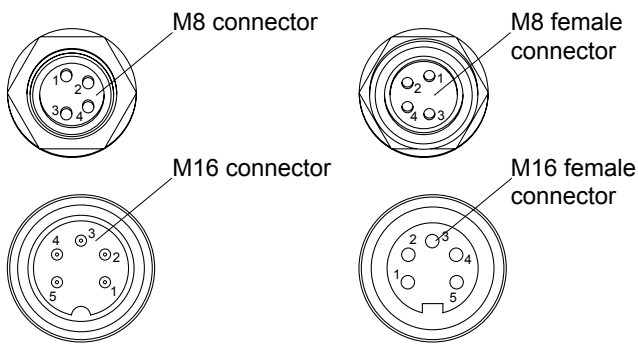
Plug-on mount, enter key, manual format adjustment

Display LCD two lines, interface RS485

N 155

Terminal assignment

| M8 connector | M16 connector | Assignment |
|--------------|---------------|---------------------|
| Pin 1 | Pin 5 | Tx/Rx-, RS485 |
| Pin 2 | Pin 4 | Tx/Rx+, RS485 |
| Pin 3 | Pin 1 | Sensor supply +24 V |
| Pin 4 | Pin 2 | Sensor supply 0 V |



Target displays

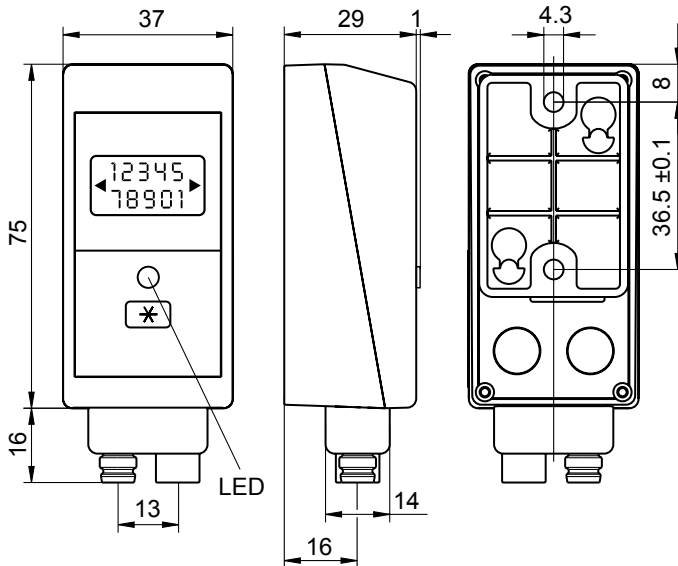
Plug-on mount, enter key, manual format adjustment

Display LCD two lines, interface RS485

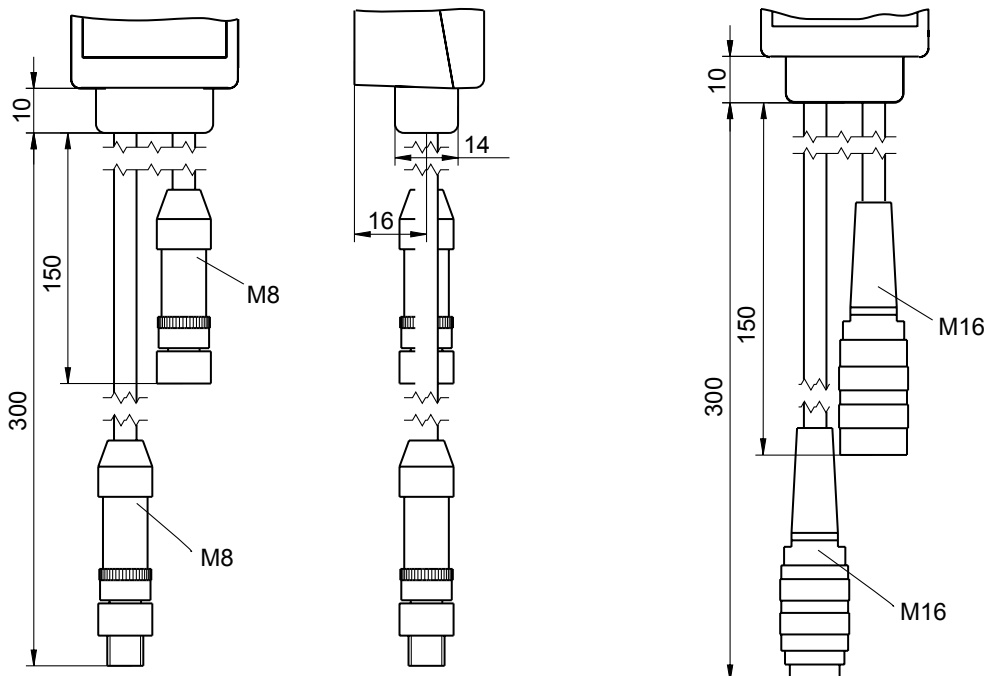
N 155

Dimensions

Connector male and female



Bottom cable output, M8 and M16



Target displays

Plug-on mount, enter key, manual format adjustment

Display LCD two lines, interface RS485

N 155

Dimensions

Cable output rear, M8 / Cutout

