

Accessories

Measuring wheels



Description

When selecting a measuring wheel the kind of material to be measured has to be taken into consideration prior to any decision on wheel surface respectively cover lining. The wheel circumference depends on the space available as well as on the size of counter or encoder. The smaller the measuring wheel, the more force required at the wheel circumference and consequently the higher the risk of slippage and incorrect measuring results. Also the width of the measuring wheel has an impact on the result.

Technical data - Large measuring wheels

	MR512	MR542	MR552	MR562	MR592
Circumference	50 cm	50 cm	50 cm	50 cm	50 cm
Outer diameter	159.15 ±0.2 mm	159.15 ±0.2 mm	159.15 ±0.2 mm	159.15 ±0.2 mm	159.15 ±0.2 mm
Surface profile	Cross knurl	smooth	smooth	knopped rubber	grooved
Surface material	Aluminium	Hytrel TPE-E	Polyurethan	Nitrile NBR	Hytrel TPE-E
Wheel material	Aluminium	Plastic	Aluminium	Aluminium	Plastic
Surface hardness, approx.	-	90° Shore A	90° Shore A	55° ±5° Shore A	90° Shore A
Operating temperature	-30...+180 °C	-10...+70 °C	-30...+80 °C	-10...+50 °C	-10...+70 °C
Fastening torque/pin	3 Nm	3 Nm	3 Nm	3 Nm	3 Nm

Technical data - Small measuring wheels

	MR211	MR241	MR261	MR291	MR752
Circumference	20 cm	20 cm	20 cm	20 cm	30.48 cm
Outer diameter	63.66 ±0.1 mm	63.66 ±0.1 mm	63.66 ±0.1 mm	63.66 ±0.1 mm	97.02 ±0.06 mm
Surface profile	Cross knurl	smooth	knopped rubber	grooved	smooth
Surface material	Aluminium	Hytrel TPE-E	Nitrile NBR	Hytrel TPE-E	Polyurethan
Wheel material	Aluminium	Plastic	Aluminium	Plastic	Aluminium
Surface hardness, approx.	-	90° Shore A	55° ±5° Shore A	90° Shore A	90° Shore A
Operating temperature	-30...+180 °C	-10...+70 °C	-10...+50 °C	-10...+70 °C	-30...+80 °C
Fastening torque/pin	1.5 Nm	1.5 Nm	1.5 Nm	1.5 Nm	1.5 Nm

Appropriate material to be measured

Recommendend Surface	Suitable material
Hytrell grooved	Plastic, painted material, paper, Cardboard, wood, metal, textiles
Hytrell smooth	Plastic, painted material, paper, Cardboard, wood, metal, textiles
Cross knurl	Cardboard, wood, (textiles)
Knopped rubber	Textiles, cloth
Polyurethan smooth	Plastic, painted material, paper, Cardboard, wood, metal, wire

Measuring accuracy

Precise measuring results of a meter counter with measuring wheel depend on:

- Kind of measured material
- Contact angle
- Torque of counter or encoder
- Feeding speed
- Strain of measured material
- Surface roughness
- Contact pressure of material against measuring wheel
- Elasticity of measured material
- Diametrical tolerance of the measuring wheel

Accessories

Measuring wheels

Part number - 20 cm circumference

MR211. **A**

| Bore
04 ø4 mm
07 ø7 mm

MR241. **D**

| Bore
04 ø4 mm
05 ø5 mm
06 ø6 mm
07 ø7 mm
10 ø10 mm

Part number - 50 cm circumference

MR512. **A**

| Bore
07 ø7 mm
10 ø10 mm

MR542. **D**

| Bore
06 ø6 mm
07 ø7 mm
10 ø10 mm
12 ø12 mm

MR261. **A**

| Bore
04 ø4 mm
06 ø6 mm
07 ø7 mm
10 ø10 mm

MR291. **D**

| Bore
04 ø4 mm
05 ø5 mm
06 ø6 mm
07 ø7 mm
10 ø10 mm

MR552. **A**

| Bore
07 ø7 mm
10 ø10 mm

MR562. **A**

| Bore
07 ø7 mm
10 ø10 mm

Part number - 1 foot circumference

MR752. **A**

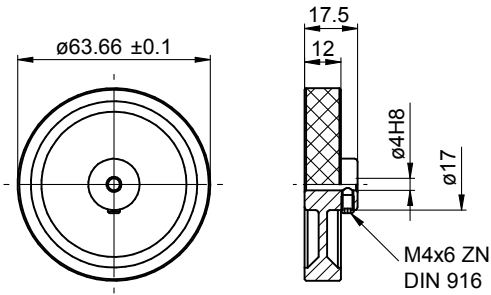
| Bore
04 ø4 mm
07 ø7 mm
09 ø9,52 mm
10 ø10 mm

MR592. **D**

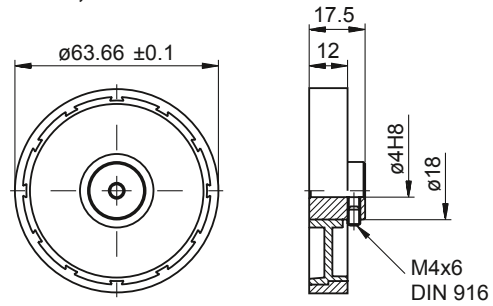
| Bore
06 ø6 mm
07 ø7 mm
10 ø10 mm
12 ø12 mm

Dimensions

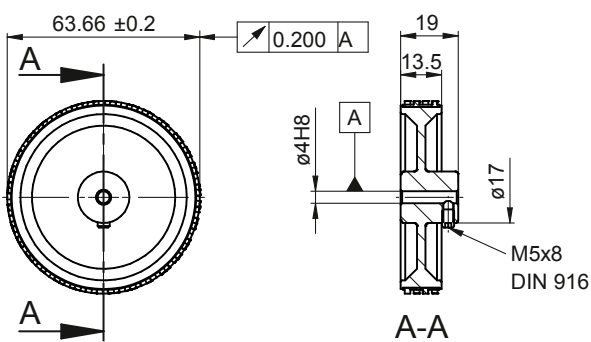
MR211



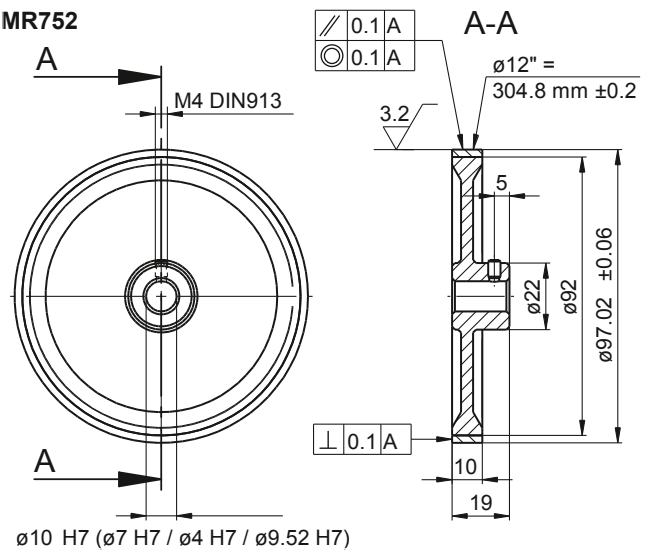
MR241, MR291



MR261



MR752

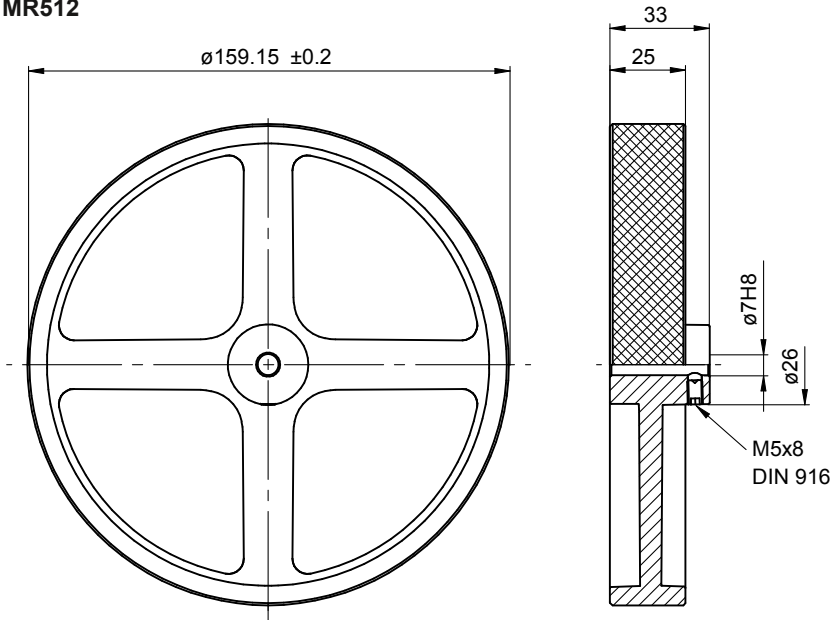


Accessories

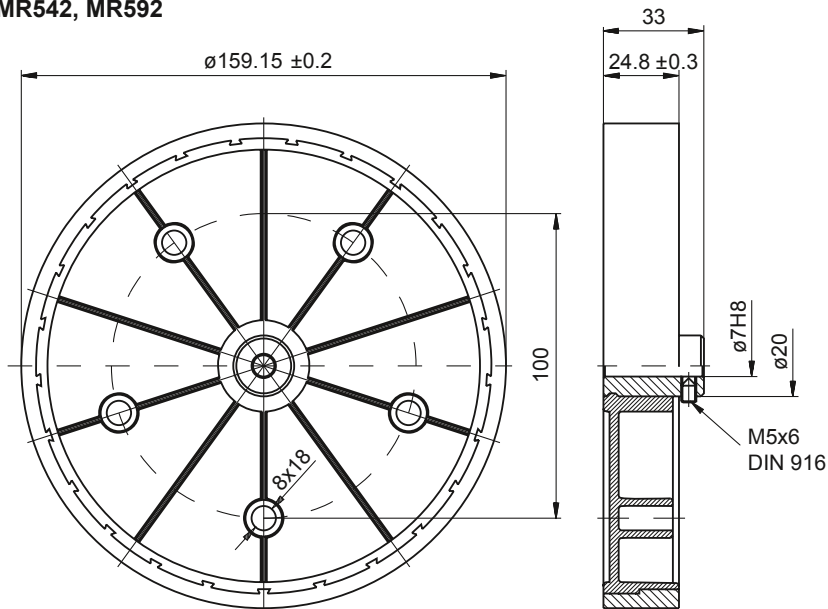
Measuring wheels

Dimensions

MR512

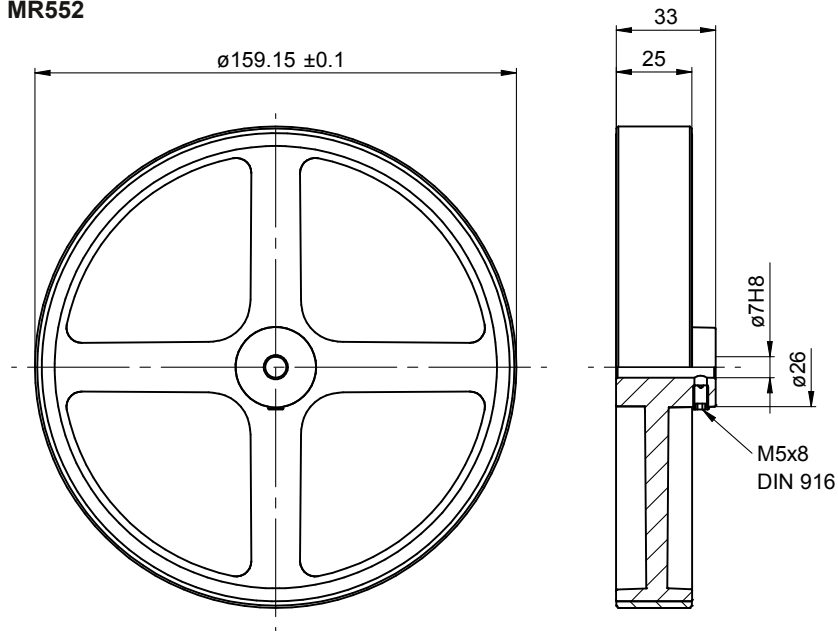


MR542, MR592



Dimensions

MR552



MR562

