

# Absolute encoders - SSI

## Solid shaft with clamping or synchro flange

### Optical singleturn encoders up to 19 bit

#### GBA2W



GBA2W with clamping flange and connector M23

#### Features

- High resolution encoder singleturn / SSI
- Optical sensing method
- Resolution: max. 19 bit
- Clamping or synchro flange
- Electronic setting of zero point
- Counting direction input
- Suitable for high positive, negative accelerations
- Available with additional incremental output

#### Technical data - electrical ratings

Voltage supply	10...30 VDC 5 VDC $\pm$ 10 % (on request)
Reverse polarity protection	Yes (10...30 VDC) / No (5 VDC)
Consumption w/o load	$\leq$ 50 mA (24 VDC) $\leq$ 80 mA (5 VDC)
Initializing time typ.	20 ms after power on
Interfaces	SSI, Incremental A 90° B (optional)
Function	Singleturn
Steps per revolution	$\leq$ 524288 / 19 bit
Absolute accuracy	$\pm$ 0.01 °
Sensing method	Optical
Code	Gray or binary
Code sequence	CW/CCW coded by connection
Inputs	SSI clock Control signals UP/DOWN inv. and zero
Output stages	SSI data: Linedriver RS422 Diagnostic outputs push-pull
Incremental output	2048 pulses A90°B + inverted
Interference immunity	DIN EN 61000-6-2
Emitted interference	DIN EN 61000-6-4
Diagnostic function	Self-diagnosis
Approval	UL approval / E63076

#### Technical data - mechanical design

Size (flange)	$\varnothing$ 58 mm
Shaft type	$\varnothing$ 10 mm solid shaft (clamping flange) $\varnothing$ 6 mm solid shaft (synchro flange)
Flange	Clamping or synchro flange
Protection DIN EN 60529	IP 54 (without shaft seal), IP 65 (with shaft seal)
Operating speed	$\leq$ 10000 rpm (mechanical) $\leq$ 6000 rpm (electric)
Starting torque	$\leq$ 0.015 Nm (+25 °C, IP 54) $\leq$ 0.03 Nm (+25 °C, IP 65)
Rotor moment of inertia	20 gcm <sup>2</sup>
Admitted shaft load	$\leq$ 20 N axial $\leq$ 40 N radial
Materials	Housing: aluminium Flange: aluminium
Operating temperature	-25...+85 °C -40...+85 °C (optional)
Relative humidity	95 % non-condensing
Resistance	DIN EN 60068-2-6 Vibration $\pm$ 0.75 mm - 10-58 Hz 10 g - 58-2000 Hz DIN EN 60068-2-27 Shock 200 g, 6 ms
Weight approx.	400 g
Connection	Connector M23, 12-pin Connector M12, 8-pin Cable 1 m

· Subject to modification in technic and design. Errors and omissions excepted.

# Absolute encoders - SSI

## Solid shaft with clamping or synchro flange

### Optical singleturn encoders up to 19 bit

GBA2W

#### Part number

GBA2W.

#### Pulses / Incremental output

- 05 No incremental output
- 14 2048 pulses / push-pull
- 16 2048 pulses / RS422
- 17 2048 periods / SinCos\*

#### Connection

- A0 Connector M23, 12-pin, axial
- A1 Connector M23, 12-pin, radial
- A4 Connector M23, 12-pin, axial, for incremental output 14/16
- A5 Connector M23, 12-pin, radial, for incremental output 14/16
- 11 Cable 1 m, axial
- 21 Cable 1 m, radial
- 71 Cable 1 m, axial, for incremental output 14/16/17
- 81 Cable 1 m, radial, for incremental output 14/16/17
- M4 Connector M12, 8-pin axial
- M5 Connector M12, 8-pin, radial

#### Voltage supply / signals

- 10 10...30 VDC / gray code 18 bit
- 11 5 VDC / gray code 18 bit\*
- 12 10...30 VDC / binary code 18 bit
- 13 5 VDC / binary code 18 bit\*
- 20 10...30 VDC / gray code 17 bit
- 21 5 VDC / gray code 17 bit\*
- 22 10...30 VDC / binary code 17 bit
- 23 5 VDC / binary code 17 bit\*
- 30 10...30 VDC / gray code 19 bit
- 32 10...30 VDC / binary code 19 bit

#### Flange / Solid shaft

- 0 Clamping flange /  $\varnothing$ 10 mm, IP 54
- A Clamping flange /  $\varnothing$ 10 mm, IP 65
- 1 Synchro flange /  $\varnothing$ 6 mm, IP 54
- B Synchro flange /  $\varnothing$ 6 mm, IP 65

\* On request

· Subject to modification in technic and design. Errors and omissions excepted.

# Absolute encoders - SSI

## Solid shaft with clamping or synchro flange

### Optical singleturn encoders up to 19 bit

#### GBA2W

---

##### Accessories

##### Connectors and cables

11034154	Female connector M23, 12-pin, without cable (Z 130.001)
10138559	Female connector M23, 12-pin, 2 m cable (Z 130.003)
11034156	Female connector M23, 12-pin, 3 m cable (Z 130.004)
10126594	Female connector M23, 12-pin, 5 m cable (Z 130.005)
10129757	Female connector M23, 12-pin, 10 m cable (Z 130.007)
11042991	Female connector M23, 12-pin, 15 m cable (Z 130.M15)
11034344	Female connector M23, 12-pin, without cable (incr.) (Z 182.001)
11034345	Female connector M23, 12-pin, 2 m (incr.) (Z 182.003)
11034346	Female connector M23, 12-pin, 5 m (incr.) (Z 182.005)
11076757	Female connector M23, 12-pin, 8 m (incr.) (Z 182.M08)
11034347	Female connector M23, 12-pin, 10 m (incr.) (Z 182.007)
11051323	Female connector M23, 12-pin, 15 m (incr.) (Z 182.M15)
10127844	Connection cable 2 m shielded with female connector M12, 8-pin, straight (ESG 34FH0200G)
10129333	Connection cable 10 m shielded with female connector M12, 8-pin, straight (ESG 34FH1000G)

##### Mounting accessories

10117669	Eccentric fixing, single (Z 119.006)
10141255	Adaptor plate for clamping flange for modification into synchro flange (Z 119.013)
10125051	Mounting adaptor for encoders with clamping flange (M3) (Z 119.017)
10141132	Spring washer coupling D1=6 / D2=10 (Z 121.C01)

# Absolute encoders - SSI

## Solid shaft with clamping or synchro flange

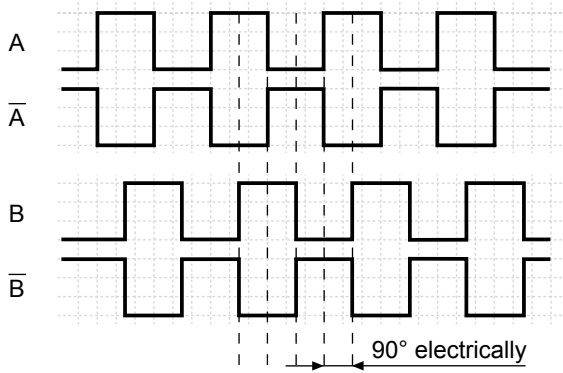
### Optical singleturn encoders up to 19 bit

GBA2W

#### Output signals

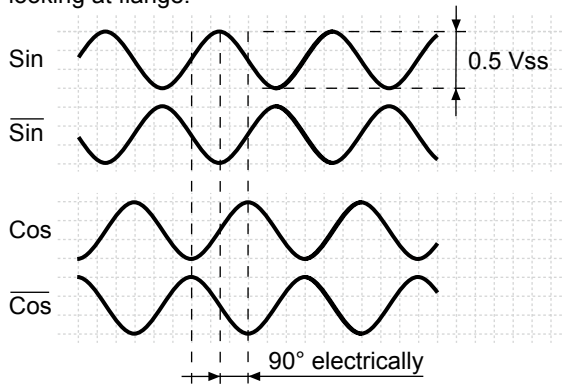
##### Push-pull and RS422

A leading B when rotating the shaft clockwise and looking at flange.

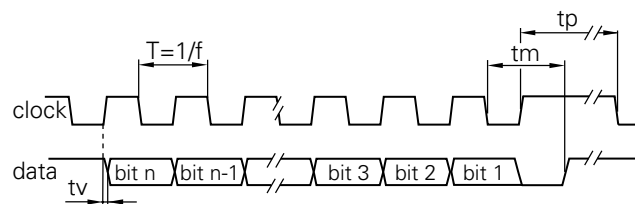


##### SinCos

Sin leading Cos when rotating the shaft clockwise and looking at flange.



#### Data transfer



Clock frequency f	62.5...1500 kHz
Duty cycle of T	40...60 %
Delay time tv	150 ns
Monoflop time tm	26 $\mu$ s + T/2
Clock interval tp	30 $\mu$ s

#### Trigger level

SSI	Circuit
SSI-Clock	Optocoupler with switching current approx. 7 mA or RS422 with terminating resistor
SSI-Data	Linedriver RS485 or RS422

#### Control inputs

Control inputs	Input circuit
Input level High	>0.7 UB
Input level Low	<0.3 UB
Input resistance	10 k $\Omega$

#### Diagnostic outputs or Incremental outputs

Diagnostic outputs or Incremental outputs	Output circuit Push-pull circuit-proof
Output level High	>UB -3.5 V (I = -20 mA)
Output level Low	<0.5 V (I = 20 mA)
Load High / Low	<20 mA

#### Incremental outputs

Incremental outputs	Linedriver RS422
Output level High	>2.5 V (I = -20 mA)
Output level Low	<0.5 V (I = 20 mA)
Load High / Low	<20 mA

#### Outputs

Outputs	SinCos
Output level	0.5 Vpp $\pm$ 10 % (Output signals before difference formation)
Load	<10 mA

· Subject to modification in technic and design. Errors and omissions excepted.

# Absolute encoders - SSI

## Solid shaft with clamping or synchro flange

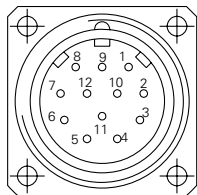
### Optical singleturn encoders up to 19 bit

## GBA2W

### Terminal assignment

#### Cable or connector M23

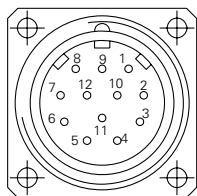
Pin	Core colour	Assignment
1	brown	UB
2	black	GND
3	blue	Clock+
4	beige	Data+
5	green	Zero setting
6	yellow	Data-
7	violet	Clock-
8	brown/yellow	UBminOK inv.
9	pink	UP/DOWN inv.
10-12	–	–



Please use cores twisted in pairs (for example clock+ / clock-) for extension cables of more than 10 m length.

#### Cable or connector M23 with incremental tracks

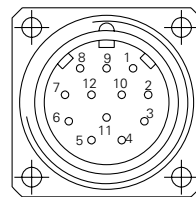
Pin	Core colour	Assignment
1	brown	UB
2	white	GND
3	blue	Clock+
4	green	Data+
5	grey	Zero setting
6	yellow	Data-
7	red	Clock-
8	red/blue	Track B inv.
9	pink	UP/DOWN inv.
10	violet	Track A inv.
11	black	Track A
12	grey/pink	Track B



Please use cores twisted in pairs (for example clock+ / clock-) for extension cables of more than 10 m length.

#### Cable or connector M23 with SinCos

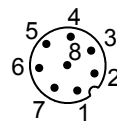
Pin	Core colour	Assignment
1	brown	UB
2	white	GND
3	blue	Clock+
4	green	Data+
5	grey	Zero setting
6	yellow	Data-
7	red	Clock-
8	red/blue	Cosine inv.
9	pink	UP/DOWN inv.
10	violet	Sine inv.
11	black	Sine
12	grey/pink	Cosine



Please use cores twisted in pairs (for example clock+ / clock-) for extension cables of more than 10 m length.

#### Connector M12

Pin	Assignment
1	GND
2	UB
3	Clock+
4	Clock-
5	Data+
6	Data-
7	Zero setting
8	UP/DOWN inv.



Please use cores twisted in pairs (for example clock+ / clock-) for extension cables of more than 10 m length.

# Absolute encoders - SSI

## Solid shaft with clamping or synchro flange

### Optical singleturn encoders up to 19 bit

**GBA2W**

Terminal significance	
UB	Encoder voltage supply.
GND	Encoder ground connection relating to UB.
Data+/Data-	Differential SSI data output.
Clock+/Clock-	Differential SSI clock input. Optocoupler or RS422 input.
Zero setting	Input for setting a zero point anywhere within the encoder resolution. The zero setting operation is triggered by a High impulse and has to be in line with the selected direction of rotation (UP/DOWN inv.). Connect to GND after setting operation for maximum interference immunity. Impulse duration $\geq 100$ ms.
UBminOK inv.	Diagnostic output. Level $< 9$ V indicates the operating voltage has dropped below the minimum limit.
UP/DOWN inv.	UP/DOWN inv. counting direction input. This input is standard on High. UP/DOWN inv. means ascending output data with clockwise shaft rotation when looking at flange. UP/DOWN inv.-Low means ascending values with counterclockwise shaft rotation when looking at flange.
Incremental Outputs	Incremental tracks A 90° B and inverted.

· Subject to modification in technic and design. Errors and omissions excepted.

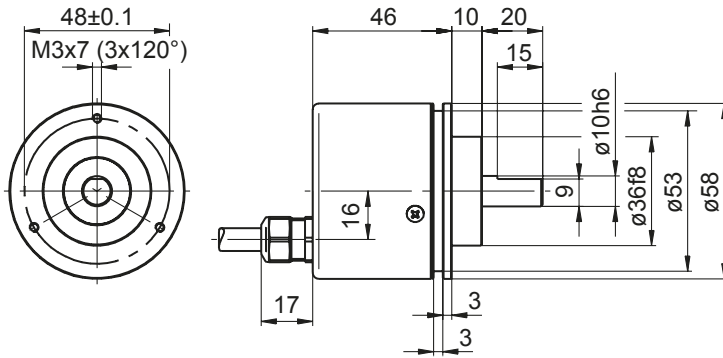
# Absolute encoders - SSI

Solid shaft with clamping or synchro flange  
Optical singleturn encoders up to 19 bit

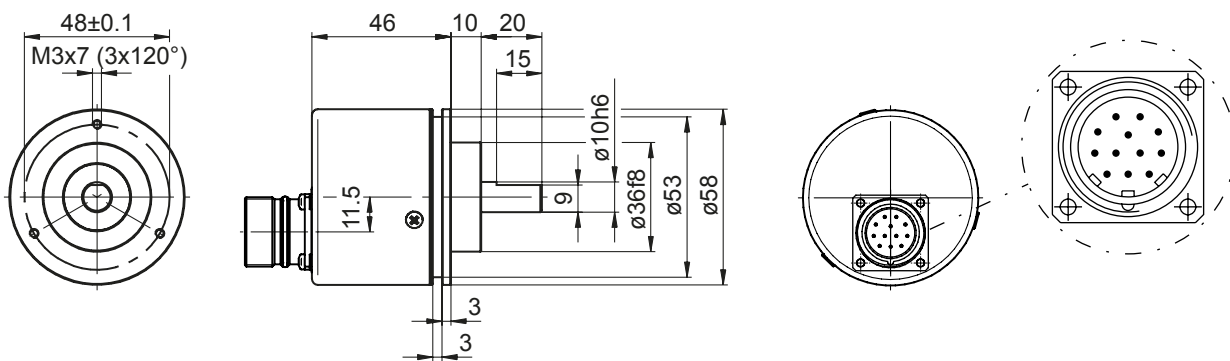
## GBA2W

### Dimensions

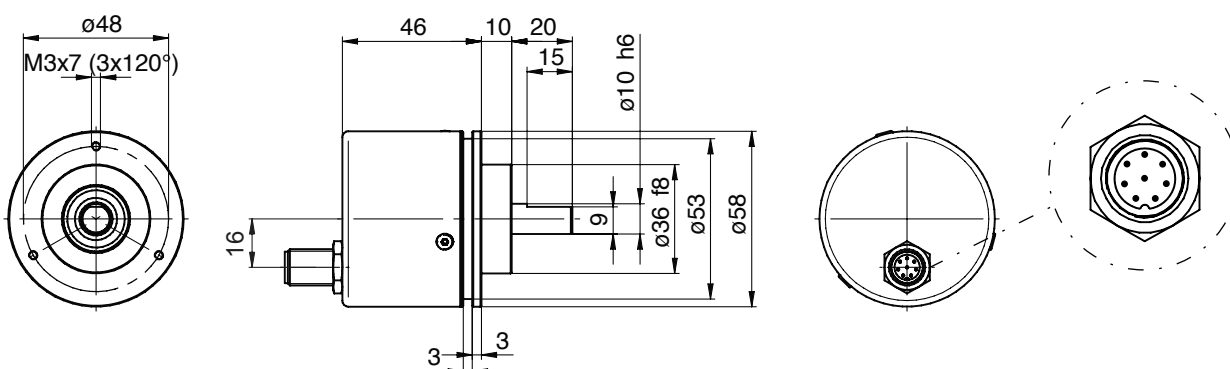
#### Cable, axial



#### Connector M23, axial



#### Connector M12, axial



· Subject to modification in technic and design. Errors and omissions excepted.

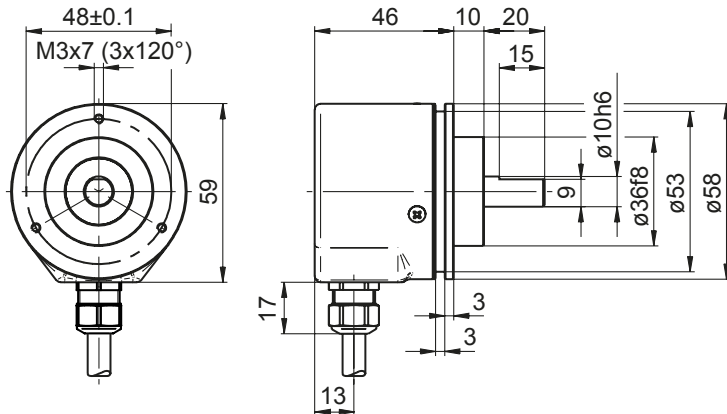
# Absolute encoders - SSI

Solid shaft with clamping or synchro flange  
Optical singleturn encoders up to 19 bit

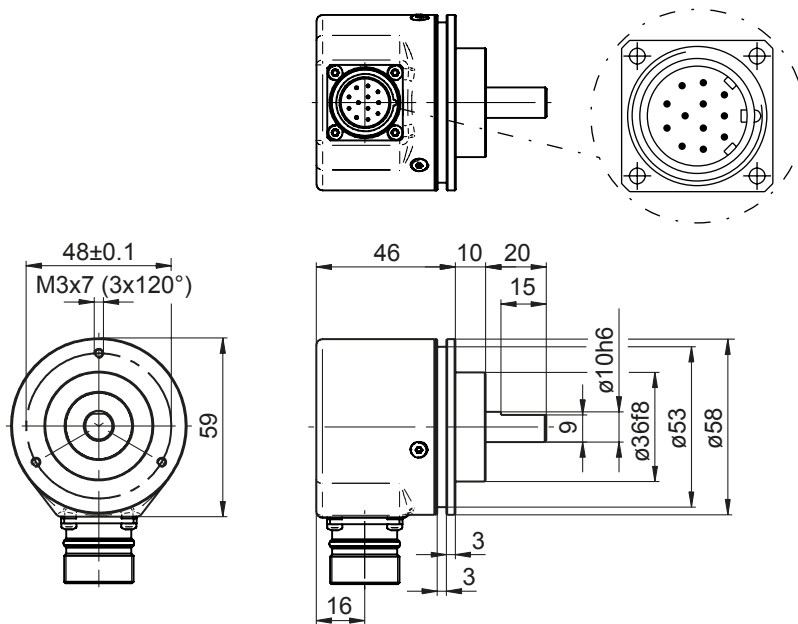
GBA2W

## Dimensions

### Cable, radial



### Connector M23, radial



· Subject to modification in technic and design. Errors and omissions excepted.



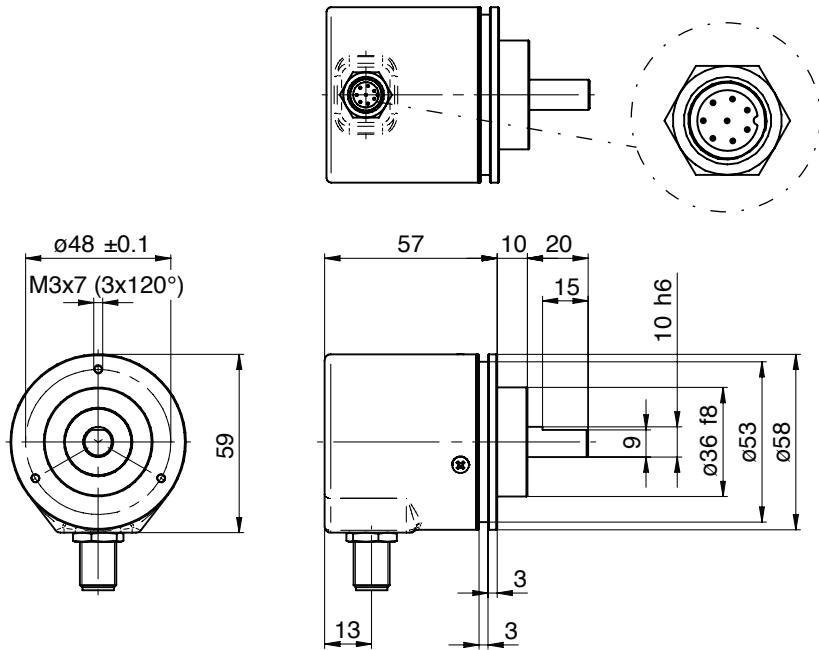
# Absolute encoders - SSI

Solid shaft with clamping or synchro flange  
Optical singleturn encoders up to 19 bit

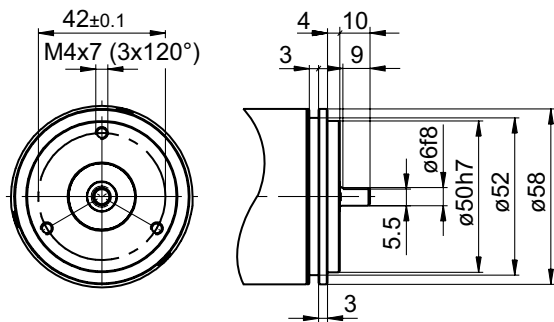
## GBA2W

### Dimensions

#### Connector M12, radial



#### Synchro flange



#### Connector dimensions M23

