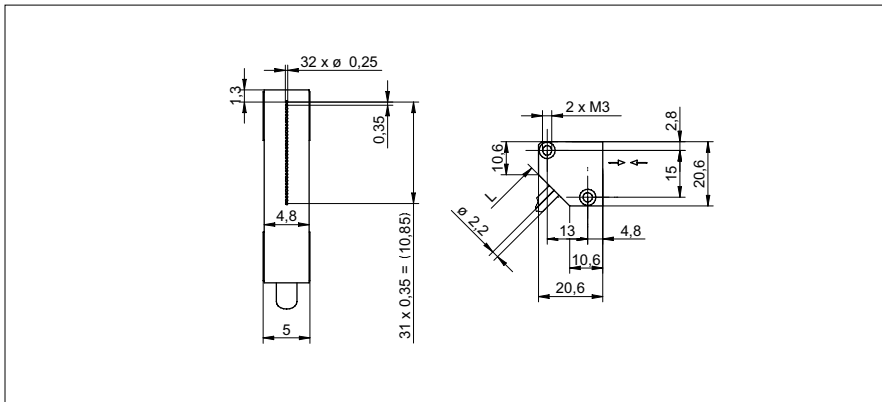


Diffuse sensors fiber optics

FUE 200C6Y00

dimension drawing



general data

particular characteristics	side view
type	Diffuse sensors
sensing distance Tw	1 ... 265 mm
response time / release time	0,05 ... 5 ms
type of head (fiber optic cable)	rectangular, side view
width / diameter (head)	20,6 mm
height / length (head)	20,6 mm
depth (head)	5 mm
material (head)	stainless steel
bending radius	15 mm
cable jacket diameter	2,2 mm
material cable jacket	PE
material (fiber optic cable)	plastic
length (fiber optic cable)	2000 mm
operating temperature	-30 ... +70 °C

photo



Sensing distance/response time:

For the definitive sensing distance/response time please see table below "fitting fiber optic sensors".

- Reliably detects small, thin or vibrating workpieces in an area of 10,85 mm.

fitting fiber optic sensors	sensing distance Tw (0,05 ms)	sensing distance Tw (0,25 ms)	sensing distance Tw (1 ms)	sensing distance Tw (5 ms)
FVDK 67 (standard version)	1 ... 43 mm (HS)	-	1 ... 200 mm (nL)	1 ... 265 mm (HP)
FVDK 67 (2 adjustable outputs)	1 ... 43 mm (HS)	-	1 ... 200 mm (nL)	1 ... 265 mm (HP)
FVDK 67 (master/slave)	1 ... 43 mm (HS)	-	1 ... 200 mm (nL)	1 ... 265 mm (HP)
FVDK 66 (standard version)	-	1 ... 60 mm (FT)	1 ... 100 mm (nL)	-
FVDK 66 (master/slave)	-	1 ... 60 mm (FT)	1 ... 100 mm (nL)	-
FVDK 22	-	-	1 ... 80 mm (nL)	-
FVDK 12	-	-	1 ... 80 mm (nL)	-
FVDK 12 (fast version)	1 ... 75 mm (HS)	-	-	-
FVDK 10	-	-	1 ... 45 mm (nL)	-
FWDK 84 (analog output)	-	-	1 ... 20 mm (nL)	-

operating modes  
 HS High Speed  
 FT fast  
 nL Standard  
 HP High Sensitivity