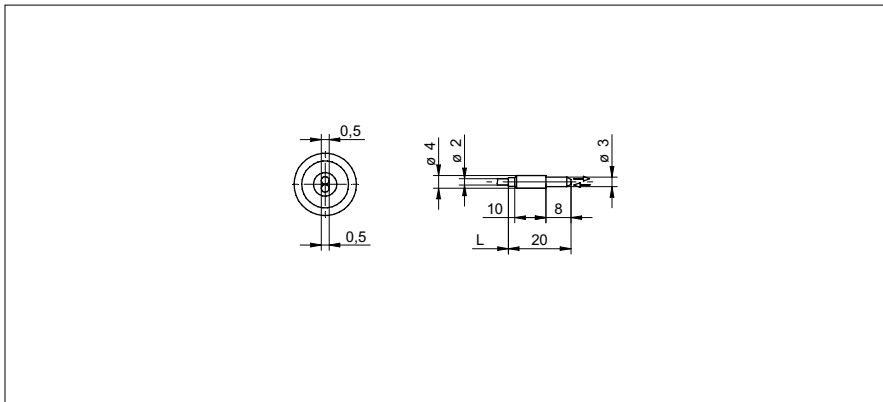


Diffuse sensors fiber optics

FUE 200C2004

dimension drawing



general data

particular characteristics	standard smooth sensing head without thread
type	Diffuse sensors
sensing distance Tw	1 ... 120 mm
response time / release time	0,05 ... 5 ms
type of head (fiber optic cable)	cylindrical smooth (axial)
width / diameter (head)	4 mm
height / length (head)	20 mm
material (head)	aluminum
bending radius	8 mm
cable jacket diameter	2 mm
material cable jacket	PE
material (fiber optic cable)	plastic
length (fiber optic cable)	2000 mm
operating temperature	-30 ... +70 °C

photo



Sensing distance/response time:
For the definitive sensing distance/response time please see table below "fitting fiber optic sensors".



fitting fiber optic sensors	sensing distance Tw (0,05 ms)	sensing distance Tw (0,25 ms)	sensing distance Tw (1 ms)	sensing distance Tw (5 ms)
FVDK 67 (standard version)	1 ... 12 mm (HS)	-	1 ... 100 mm (nL)	1 ... 120 mm (HP)
FVDK 67 (2 adjustable outputs)	1 ... 12 mm (HS)	-	1 ... 100 mm (nL)	1 ... 120 mm (HP)
FVDK 67 (master/slave)	1 ... 12 mm (HS)	-	1 ... 100 mm (nL)	1 ... 120 mm (HP)
FVDK 66 (standard version)	-	1 ... 26 mm (FT)	1 ... 45 mm (nL)	-
FVDK 66 (master/slave)	-	1 ... 26 mm (FT)	1 ... 45 mm (nL)	-
FVDK 22	-	-	1 ... 35 mm (nL)	-
FVDK 12	-	-	1 ... 35 mm (nL)	-
FVDK 12 (fast version)	1 ... 33 mm (HS)	-	-	-
FVDK 10	-	-	1 ... 18 mm (nL)	-
FWDK 84 (analog output)	-	-	1 ... 10 mm (nL)	-

operating modes
 HS High Speed
 FT fast
 nL Standard
 HP High Sensitivity