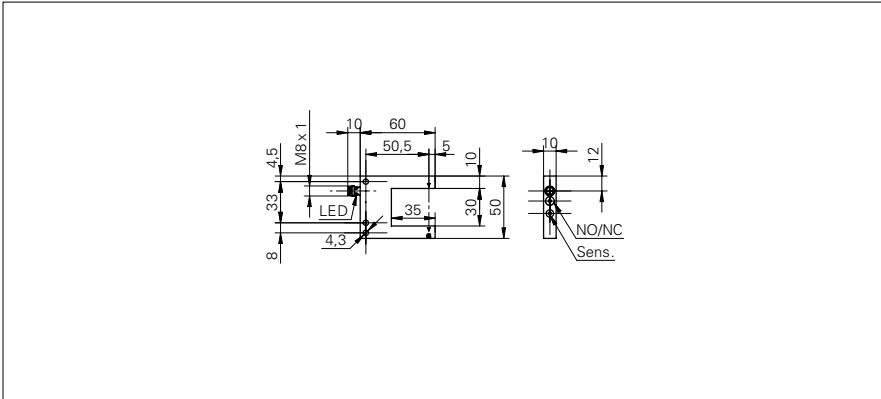


Fork and angle sensors

FGUM 030P8001/S35L

dimension drawing



general data

type	through beam sensor
object size	> 0,5 mm
repeat accuracy	< 0,02 mm
hysteresis	< 0,25 mm
ambient light immunity	< 140 kLux
sensitivity adjustment	potentiometer, 270°
light source	pulsed red LED
wave length	660 nm
light indicator	LED yellow

electrical data

response time / release time	< 0,125 ms
switching frequency	< 4 kHz
voltage supply range +Vs	10 ... 35 VDC
current consumption max. (no load)	30 mA
output function	light / dark operate switchable
output circuit	PNP
voltage drop Vd	< 2,8 VDC
output current	< 200 mA
short circuit protection	yes
reverse polarity protection	yes

mechanical data

width / diameter	50 mm
fork width Sb	30 mm
height / length	60 mm
penetration depth	35 mm
depth	10 mm
type	U profile
housing material	die-cast zinc
connection types	connector M8, 3 pin

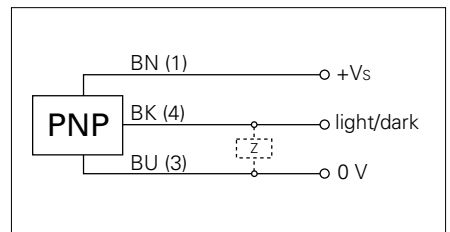
ambient conditions

operating temperature	-10 ... +60 °C
protection class	IP 67

photo



connection diagram



• accessories: PNP/NPN - converter