

O300H.SL-GW1J.PVCV

SmartReflect Light barriers - hygiene

Article number: 11179007

Overview

- light barrier
- 30 ... 250 mm
- pulsed red laser diode
- push-pull
- Teach-in and IO-Link
- cable 4 pin, 2 m
- -10 ... 60 °C
- IP 68/69K & proTect+



Picture similar



Technical data

General data

Type	Light barrier
Special type	Hygienic design
Version	Standard object detection
Light source	Pulsed red laser diode
Background position Sde	30 ... 250 mm
Scanning range Sa	90% ... 85% Sde
Repeat accuracy	< 0,1 mm at 100 mm
Power on indication	LED green
Light indicator	LED yellow
Sensing distance adjustment	Teach-in and IO-Link
Laser class	1
Distance to focus	400 mm
Wave length	656 nm
Suppression of reciprocal influence	Yes
Alignment optical axis	< 2°
Approvals/certificates	Ecolab Adapted from EHEDG

Electrical data

Response time / release time	< 0,25 ms
------------------------------	-----------

Electrical data

Voltage supply range +Vs	11 ... 30 VDC
Current consumption max. (no load)	30 mA
Current consumption typ.	25 mA
Voltage drop Vd	< 2,5 VDC
Output function	Light / dark operate
Output circuit	Push-pull
Output current	< 100 mA
Short circuit protection	Yes
Reverse polarity protection	Yes

Mechanical data

Width / diameter	16,5 mm
Height / length	34,6 mm
Depth	28,7 mm
Type	Rectangular
Housing material	Stainless steel 1.4404 (V4A)
Front (optics)	PMMA
Connection types	Cable 4 pin, 2 m

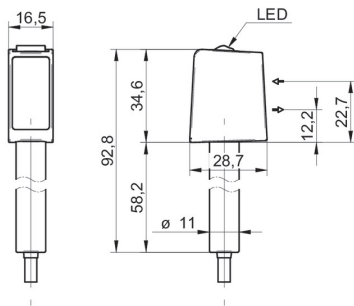
Ambient conditions

Protection class	IP 68/69K & proTect+
Operating temperature	-10 ... +60 °C

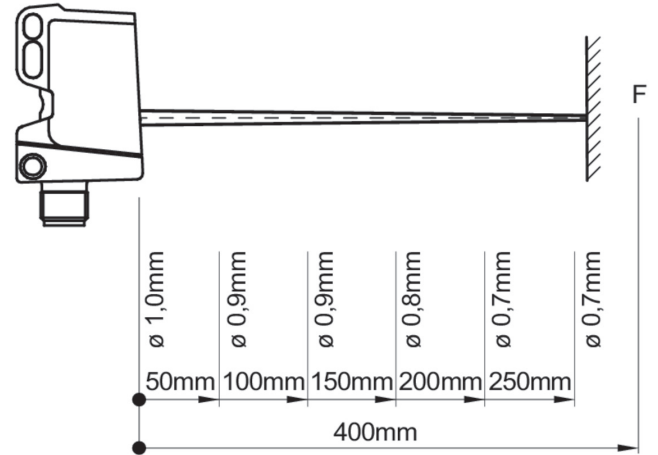
Remarks

- Magnetic Teach
- IO-Link: V1.1, filter functions, qTeach lock adjustable

Dimension drawing



Beam characteristic (typically)



Laser warning

**CLASS 1 LASER
PRODUCT**

IEC 60825-1/2014

Complies with 21 CFR 1040.10 and 1040.11 except for conformance with IEC 60825-1 Ed. 3., as described in Laser Notice No. 56, dated May 8, 2019

Connection diagram

