

Overview

- emitter
- through beam sensor
- 10 m
- pulsed red LED
- cable 4 pin, 2 m
- -25 ... 60 °C
- IP 68/69K & proTect+



Picture similar



Technical data

General data

| | |
|------------------------|------------------------------|
| Type | Through beam sensor |
| Special type | Hygienic design |
| Emitter / receiver | Emitter |
| Light source | Pulsed red LED |
| Actual range Sb | 10 m |
| Nominal range Sn | 15 m |
| Power on indication | LED green |
| Wave length | 645 nm |
| Alignment optical axis | < 2° |
| Approvals/certificates | Ecolab Adapted from EHEDG |

Electrical data

| | |
|------------------------------------|---------------|
| Voltage supply range +Vs | 10 ... 30 VDC |
| Current consumption max. (no load) | 40 mA |

Electrical data

| | |
|-----------------------------|-------|
| Current consumption typ. | 30 mA |
| Reverse polarity protection | Yes |

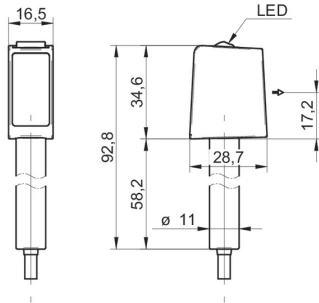
Mechanical data

| | |
|------------------|------------------------------|
| Width / diameter | 16,5 mm |
| Height / length | 34,6 mm |
| Depth | 28,7 mm |
| Type | Rectangular |
| Housing material | Stainless steel 1.4404 (V4A) |
| Front (optics) | PMMA |
| Connection types | Cable 4 pin, 2 m |

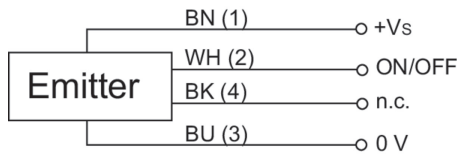
Ambient conditions

| | |
|-----------------------|----------------------|
| Operating temperature | -25 ... +60 °C |
| Protection class | IP 68/69K & proTect+ |

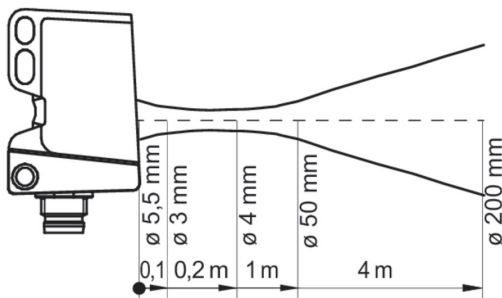
Dimension drawing



Connection diagram



Beam characteristic (typically)



Excess gain curve

