

FKDH 14G6901

Diffuse contrast sensors - hygiene

Article number: 11096635

Overview

- diffuse contrast sensor
- 12,5 mm ±2 mm
- white LED
- push-pull
- Teach-in
- cable 4 pin, 2 m
- -25 ... 60 °C
- IP 68/69K & proTect+



Picture similar



Technical data

General data

Type	Diffuse contrast sensor
Special type	Hygienic design
Light source	White LED
Sensing distance Tw	12,5 mm ±2 mm
Light indicator	LED green
Output indicator	LED yellow
Sensitivity adjustment	Teach-in
Distance to focus	12,5 mm
Beam height	3 mm
Beam width	1 mm
Approvals/certificates	Ecolab Adapted from EHEDG

Electrical data

Response time / release time	< 0,05 ms
Voltage supply range +Vs	18 ... 30 VDC
Current consumption max. (no load)	50 mA

Electrical data

Current consumption typ.	40 mA
Voltage drop Vd	< 3 VDC
Output function	Light / dark operate
Output circuit	Push-pull
Output current	< 100 mA
Short circuit protection	Yes
Reverse polarity protection	Yes

Mechanical data

Width / diameter	19,6 mm
Height / length	52,2 mm
Depth	34,3 mm
Type	Rectangular
Housing material	Stainless steel 1.4404 (V4A)
Front (optics)	PMMA
Connection types	Cable 4 pin, 2 m

Ambient conditions

Protection class	IP 68/69K & proTect+
Operating temperature	-25 ... +60 °C

Remarks

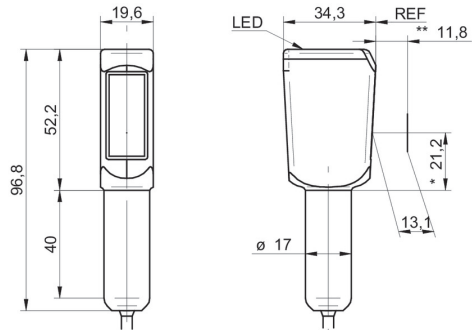
- Sensor FDA compliant, EHEDG certified and Ecolab approved
- Sensitivity adjustable: via Teach-in wire input

FKDH 14G6901

Diffuse contrast sensors - hygiene

Article number: 11096635

Dimension drawing



- * emitter axis

Connection diagram

