

## Overview

- 50 ... 400 mm
- pulsed point source LED
- analog
- IO-Link
- flylead connector M12, L=300 mm
- 50 °C
- IP 68/69K & proTect+



Picture similar



## Technical data

### General data

Measuring distance Sd	50 ... 400 mm
Special type	Hygienic design
Beam diameter	8 mm
Adjustment	IO-Link
Teach-in range min.	> 20 mm
Power on indication	LED green
Soiled lens indicator	LED red
Resolution	100 ... 1000 µm
Linearity error	± 1,5 ... 4 mm
Beam type	Point
Temperature drift	< 0,1 % Sde/K
Approvals/certificates	Ecolab Adapted from EHEDG

### Light Source

Light source	Pulsed point source LED
Wave length	660 nm

### Electrical data

Response time / release time	< 3 ms
Voltage supply range +Vs	12 ... 26 VDC
Current consumption max. (no load)	80 mA

### Electrical data

Output circuit	Analog
Output signal	4 ... 20 mA
Load resistance (analog I)	< (+Vs - 10 V) / 0,02 A
Output current	< 100 mA
Alarm output	Push-pull
Short circuit protection	Yes
Reverse polarity protection	Yes, Vs to GND

### Communication interface

Interface	IO-Link V1.0
-----------	--------------

### Mechanical data

Width / diameter	19,6 mm
Height / length	52,2 mm
Depth	34,3 mm
Type	Rectangular
Housing material	Stainless steel 1.4404 (V4A)
Front (optics)	PMMA
Connection types	Flylead connector M12, L=300 mm

### Ambient conditions

Operating temperature	0 ... +50 °C
Protection class	IP 68/69K & proTect+

# FADH 14I4470/KS34A/IO

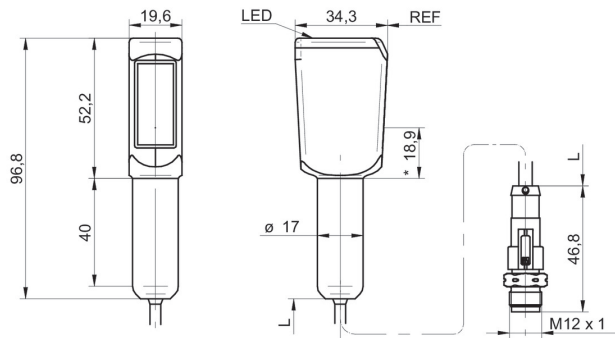
Distance sensors

Article number: 11096631

## Remarks

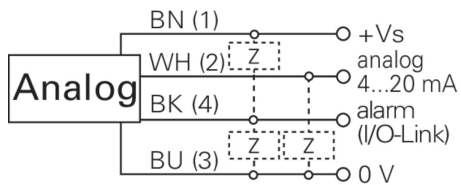
- Sensor FDA, EHEDG compliant and Ecolab approved
- IO-Link: Measuring range limit, average determination, service status, alarm output, switching window

## Dimension drawing

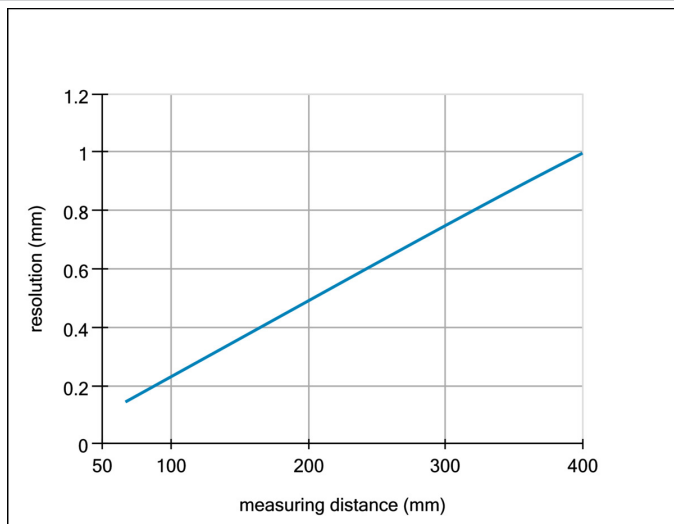


- \* emitter axis

## Connection diagram



## Resolution



## Linearity error

