

Overview

- 50 ... 400 mm
- pulsed point source LED
- analog
- IO-Link
- connector M12
- 50 °C
- IP 68/69K & proTect+



Picture similar



Technical data

General data

Measuring distance Sd	50 ... 400 mm
Special type	Washdown design
Beam diameter	8 mm
Adjustment	IO-Link
Teach-in range min.	> 20 mm
Power on indication	LED green
Soiled lens indicator	LED red
Resolution	100 ... 1000 µm
Linearity error	± 1,5 ... 4 mm
Beam type	Point
Temperature drift	< 0,1 % Sde/K
Approvals/certificates	Ecolab

Light Source

Light source	Pulsed point source LED
Wave length	660 nm

Electrical data

Response time / release time	< 3 ms
Voltage supply range +Vs	14 ... 26 VDC
Current consumption max. (no load)	80 mA

Electrical data

Output circuit	Analog
Output signal	0 ... 10 VDC
Load resistance (analog U)	> 100 kOhm
Output current	< 100 mA
Alarm output	Push-pull
Short circuit protection	Yes
Reverse polarity protection	Yes, Vs to GND

Communication interface

Interface	IO-Link V1.1
-----------	--------------

Mechanical data

Width / diameter	19,6 mm
Height / length	51 mm
Depth	34,3 mm
Type	Rectangular
Housing material	Stainless steel 1.4404 (V4A); LSR
Front (optics)	PMMA
Connection types	Connector M12

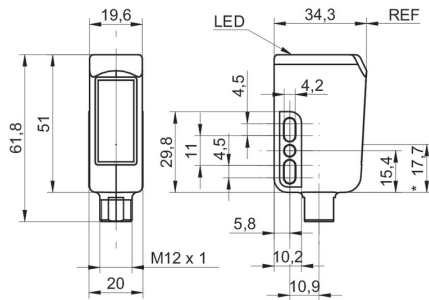
Ambient conditions

Operating temperature	0 ... +50 °C
Protection class	IP 68/69K & proTect+

Remarks

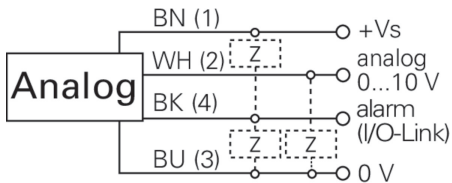
- Sensor FDA compliant and Ecolab approved
- IO-Link: Measuring range limit, average determination, service status, alarm output, switching window
- LSR = Liquid Silicon Rubber

Dimension drawing

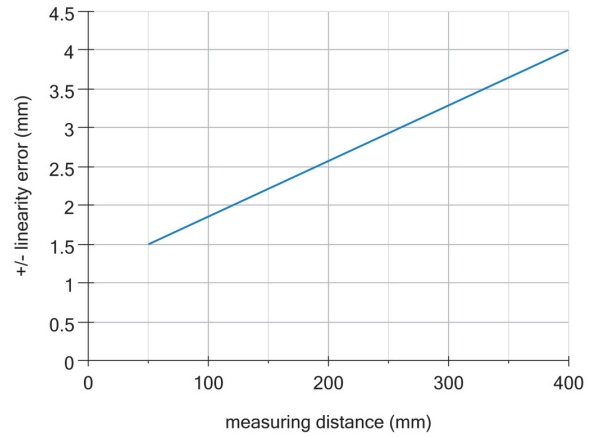


- * emitter axis

Connection diagram



Linearity error



Resolution

