

Overview

- retro-reflective sensor
- 3 m
- pulsed red LED
- PNP
- no
- flylead connector M12, L=300 mm
- -30 ... 60 °C
- IP 68/69K & proTect+



Picture similar



Technical data

General data

| | |
|-------------------------------------|------------------------------|
| Type | Retro-reflective sensor |
| Special type | Hygienic design |
| Light source | Pulsed red LED |
| Actual range Sb | 3 m |
| Nominal range Sn | 3,5 m |
| Polarization filter | Yes |
| Alignment / soiled lens indicator | Flashing light indicator |
| Light indicator | LED yellow |
| Sensitivity adjustment | No |
| Wave length | 660 nm |
| Suppression of reciprocal influence | Yes |
| Approvals/certificates | Ecolab Adapted from EHEDG |

Electrical data

| | |
|------------------------------------|---------------|
| Response time / release time | < 1 ms |
| Voltage supply range +Vs | 10 ... 30 VDC |
| Current consumption max. (no load) | 25 mA |

Electrical data

| | |
|-----------------------------|----------------------|
| Current consumption typ. | 20 mA |
| Voltage drop Vd | < 1,8 VDC |
| Output function | Light / dark operate |
| Output circuit | PNP |
| Output current | < 100 mA |
| Short circuit protection | Yes |
| Reverse polarity protection | Yes |

Mechanical data

| | |
|------------------|---------------------------------|
| Width / diameter | 19,6 mm |
| Height / length | 52,2 mm |
| Depth | 34,3 mm |
| Type | Rectangular |
| Housing material | Stainless steel 1.4404 (V4A) |
| Front (optics) | PMMA |
| Connection types | Flylead connector M12, L=300 mm |

Ambient conditions

| | |
|-----------------------|----------------------|
| Operating temperature | -30 ... +60 °C |
| Protection class | IP 68/69K & proTect+ |
| Storage temperature | -30 ... +70 °C |

Remarks

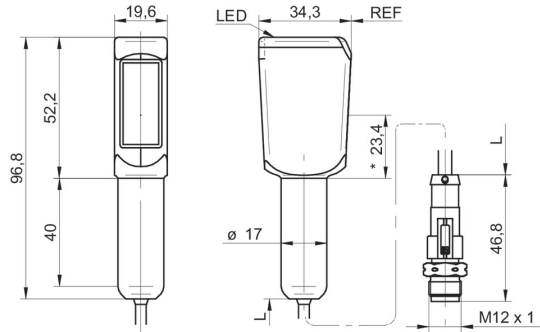
- Sensor FDA compliant, EHEDG certified and Ecolab approved

FPDH 14P5101/KS34A

Retro-reflective sensors - hygiene

Article number: 11096622

Dimension drawing



Connection diagram

