

FNDH 14G6901

SmartReflect Light barriers - hygiene

Article number: 11096612

Overview

- light barrier
- 50 ... 800 mm on V4A
- pulsed point source LED
- push-pull
- Teach-in
- cable 4 pin, 2 m
- -30 ... 60 °C
- IP 68/69K & proTect+



Picture similar



Technical data

General data

Type	Light barrier
Special type	Hygienic design
Version	Standard object detection
Light source	Pulsed point source LED
Background position Sde	50 ... 800 mm on V4A
Scanning range Sa	96% Sde
Alignment / soiled lens indicator	Flashing light indicator
Power on indication	LED green
Output indicator	LED red
Sensing distance adjustment	Teach-in
Wave length	660 nm
Approvals/certificates	Ecolab Adapted from EHEDG

Electrical data

Response time / release time	< 1,8 ms
Voltage supply range +Vs	10 ... 30 VDC
Current consumption max. (no load)	40 mA

Electrical data

Current consumption typ.	35 mA
Voltage drop Vd	< 2 VDC
Output function	Light / dark operate
Output circuit	Push-pull
Output current	< 100 mA
Short circuit protection	Yes
Reverse polarity protection	Yes

Mechanical data

Width / diameter	19,6 mm
Height / length	52,2 mm
Depth	34,3 mm
Type	Rectangular
Housing material	Stainless steel 1.4404 (V4A)
Front (optics)	PMMA
Connection types	Cable 4 pin, 2 m

Ambient conditions

Protection class	IP 68/69K & proTect+
Operating temperature	-30 ... +60 °C
Storage temperature	-30 ... +70 °C

Remarks

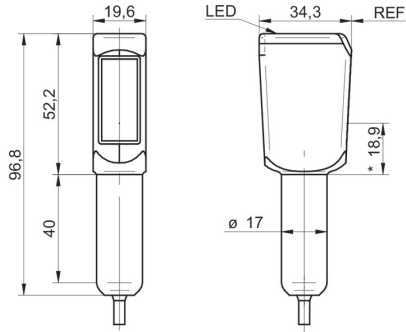
- Sensor FDA compliant, EHEDG certified and Ecolab approved
- Sensitivity adjustable: via Teach-in wire input

FNDH 14G6901

SmartReflect Light barriers - hygiene

Article number: 11096612

Dimension drawing



- * emitter axis

Connection diagram

