

**Overview**

- light barrier
- 50 ... 800 mm on V4A
- pulsed point source LED
- push-pull
- Teach-in
- connector M12
- -30 ... 60 °C
- IP 68/69K & proTect+



Picture similar



**Technical data**

**General data**

Type	Light barrier
Special type	Washdown design
Version	Standard object detection
Light source	Pulsed point source LED
Background position Sde	50 ... 800 mm on V4A
Scanning range Sa	96% Sde
Alignment / soiled lens indicator	Flashing light indicator
Power on indication	LED green
Output indicator	LED red
Sensing distance adjustment	Teach-in
Wave length	660 nm
Approvals/certificates	Ecolab

**Electrical data**

Response time / release time	< 1,8 ms
Voltage supply range +Vs	10 ... 30 VDC
Current consumption max. (no load)	40 mA

**Electrical data**

Current consumption typ.	35 mA
Voltage drop Vd	< 2 VDC
Output function	Light / dark operate
Output circuit	Push-pull
Output current	< 100 mA
Short circuit protection	Yes
Reverse polarity protection	Yes

**Mechanical data**

Width / diameter	19,6 mm
Height / length	51 mm
Depth	34,3 mm
Type	Rectangular
Housing material	Stainless steel 1.4404 (V4A)
Front (optics)	PMMA
Connection types	Connector M12

**Ambient conditions**

Protection class	IP 68/69K & proTect+
Operating temperature	-30 ... +60 °C
Storage temperature	-30 ... +70 °C

**Remarks**

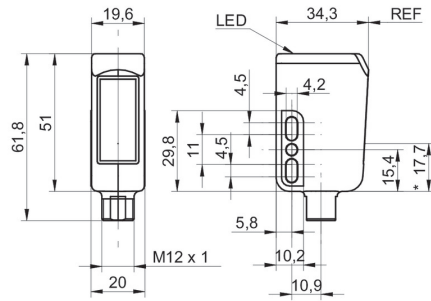
- Sensor FDA compliant and Ecolab approved
- Sensitivity adjustable: via Teach-in wire input

# FNDR 14G6901/S14

SmartReflect Light barriers - washdown

Article number: 11096610

## Dimension drawing



- \* emitter axis

## Connection diagram

