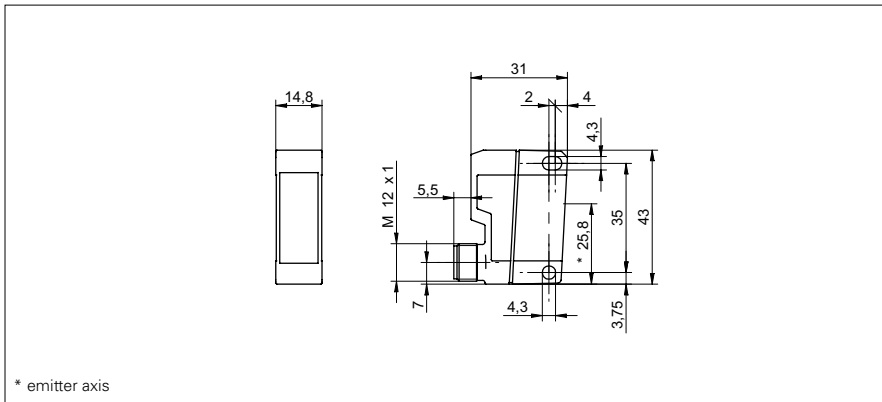


**Through beam sensors**

**FSDK 14D9601/S14**

**dimension drawing**



**general data**

|                     |                     |
|---------------------|---------------------|
| type                | through beam sensor |
| emitter / receiver  | emitter             |
| light source        | pulsed red LED      |
| actual range $S_b$  | 12 m                |
| nominal range $S_n$ | 15 m                |
| wave length         | 660 nm              |

**electrical data**

|                                    |               |
|------------------------------------|---------------|
| voltage supply range +Vs           | 10 ... 30 VDC |
| current consumption max. (no load) | 20 mA         |
| current consumption typ.           | 12 mA         |
| reverse polarity protection        | yes           |

**mechanical data**

|                  |                     |
|------------------|---------------------|
| width / diameter | 14,8 mm             |
| height / length  | 43 mm               |
| depth            | 31 mm               |
| type             | rectangular         |
| housing material | plastic (ASA, MABS) |
| front (optics)   | PMMA                |
| connection types | connector M12 4 pin |

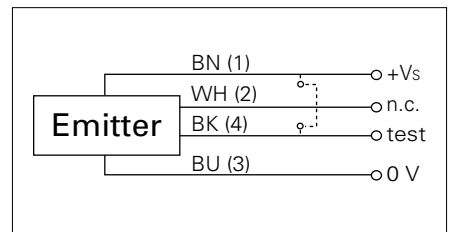
**ambient conditions**

|                       |                |
|-----------------------|----------------|
| operating temperature | -25 ... +65 °C |
| protection class      | IP 67          |

**photo**



**connection diagram**



• emitter without LED