

O500.RR-GL1Z.720

Retro-reflective sensors - for longer ranges

Article number: 11096090

overview

- retro-reflective sensor
- 7,5 m
- pulsed red LED
- push-pull
- -25 ... 60 °C
- IP 67



Picture similar



Technical data

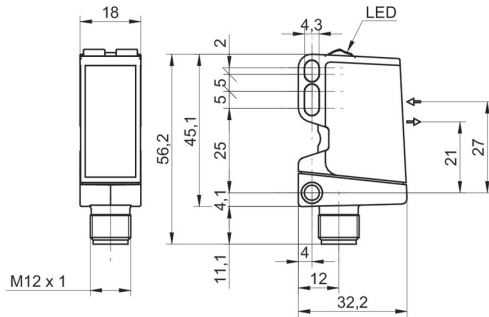
general data		electrical data	
type	retro-reflective sensor	current consumption typ.	30 mA
light source	pulsed red LED	voltage drop Vd	< 3 VDC
actual range Sb	7,5 m	output function	light operate
nominal range Sn	8 m	output circuit	push-pull
polarization filter	yes	output current	< 100 mA
light indicator	LED yellow	short circuit protection	yes
power on indication	LED green	reverse polarity protection	yes
sensitivity adjustment	no	mechanical data	
wave length	630 nm	width / diameter	18 mm
suppression of reciprocal influence	yes	height / length	45 mm
alignment optical axis	< 1°	depth	32 mm
electrical data		type	rectangular
response time / release time	< 0,49 ms	housing material	plastic (ASA, PMMA)
voltage supply range +Vs	10 ... 30 VDC	front (optics)	PMMA
current consumption max. (no load)	40 mA	connection types	connector M12 4 pin
		ambient conditions	
		operating temperature	-25 ... +60 °C
		protection class	IP 67

O500.RR-GL1Z.720

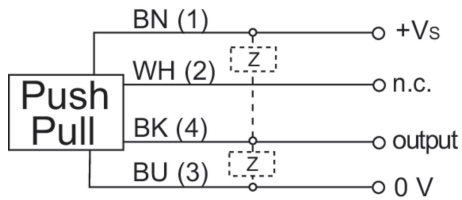
Retro-reflective sensors - for longer ranges

Article number: 11096090

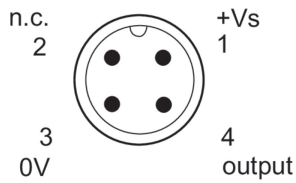
dimension drawing



connection diagram



pin assignment



beam characteristic (typically)

