

OHDK 25G6911

Diffuse sensors with background suppression - standard

Article number: 11079949

Overview

- background suppression
- 100 ... 1750 mm
- pulsed red laser diode
- push-pull
- Teach-in
- cable, 2 m
- 50 °C
- IP 67



Picture similar



Technical data

General data		Electrical data	
Type	Background suppression	Output function	Light / dark operate
Light source	Pulsed red laser diode	Output circuit	Push-pull
Sensing distance Tw	100 ... 1750 mm	Output current	< 100 mA
Sensing range Tb	100 ... 1750 mm	Number of outputs	1
Power on indication	LED green	Short circuit protection	Yes
Light indicator	LED yellow	Reverse polarity protection	Yes
Sensing distance adjustment	Teach-in	Mechanical data	
Laser class	1	Width / diameter	23,4 mm
Wave length	656 nm	Height / length	63 mm
Beam diameter	3,7 ... 22 mm	Depth	45 mm
Black/white shift	0%	Type	Rectangular
Electrical data		Housing material	Plastic (SAN LURAN 378P)
Response time / release time	< 10 ms	Front (optics)	PMMA
Voltage supply range +Vs	10 ... 30 VDC	Connection types	Cable, 2 m
Current consumption max. (no load)	80 mA	Ambient conditions	
Voltage drop Vd	< 3,5 VDC	Operating temperature	0 ... +50 °C
		Protection class	IP 67
		Storage temperature	-10 ... +70 °C

Remarks

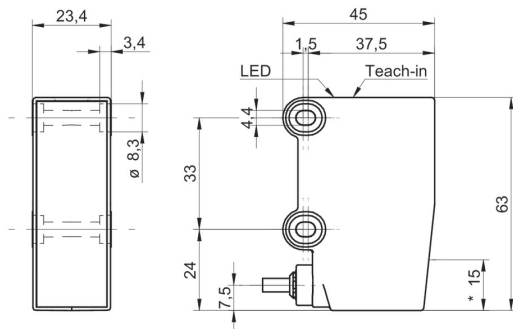
- qTeach

OHDK 25G6911

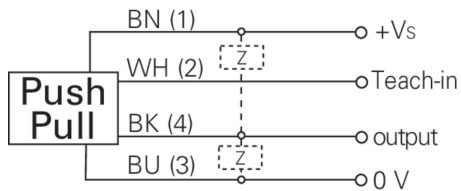
Diffuse sensors with background suppression - standard

Article number: 11079949

Dimension drawing



Connection diagram



Laser warning

**CLASS 1 LASER
PRODUCT**

IEC 60825-1/2014
Complies with 21 CFR 1040.10 and
1040.11 except for conformance with
IEC 60825-1 Ed. 3., as described in
Laser Notice No. 56, dated May 8, 2019

Switching point

