

## OHDK 25G6921

Diffuse sensors with background suppression - standard

Article number: 11079946

### Overview

- background suppression
- 100 ... 900 mm
- pulsed red laser diode
- push-pull
- Teach-in
- cable, 2 m
- 50 °C
- IP 67



Picture similar



### Technical data

General data		Electrical data	
Type	Background suppression	Voltage drop Vd	< 3,5 VDC
Light source	Pulsed red laser diode	Output function	Light / dark operate
Sensing distance Tw	100 ... 900 mm	Output circuit	Push-pull
Sensing range Tb	100 ... 900 mm	Output current	< 100 mA
Power on indication	LED green	Short circuit protection	Yes
Light indicator	LED yellow	Reverse polarity protection	Yes
Sensing distance adjustment	Teach-in	Mechanical data	
Laser class	1	Width / diameter	23,4 mm
Wave length	656 nm	Height / length	63 mm
Beam diameter	3,7 ... 13 mm	Depth	45 mm
Black/white shift	0%	Type	Rectangular
Electrical data		Housing material	Plastic (SAN LURAN 378P)
Response time / release time	< 10 ms	Front (optics)	PMMA
Voltage supply range +Vs	10 ... 30 VDC	Connection types	Cable, 2 m
Current consumption max. (no load)	80 mA	Ambient conditions	
		Operating temperature	0 ... +50 °C
		Protection class	IP 67
		Storage temperature	-10 ... +70 °C

### Remarks

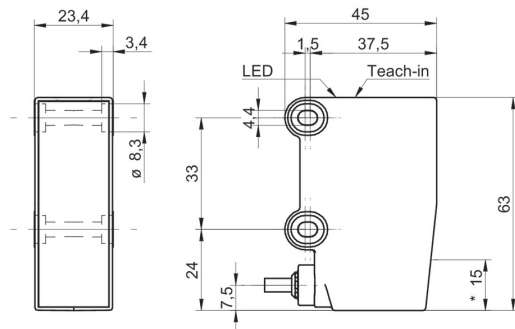
- qTeach

# OHDK 25G6921

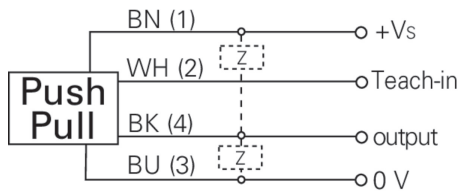
Diffuse sensors with background suppression - standard

Article number: 11079946

## Dimension drawing



## Connection diagram



## Laser warning

**CLASS 1 LASER  
PRODUCT**

IEC 60825-1/2014

Complies with 21 CFR 1040.10 and 1040.11 except for conformance with IEC 60825-1 Ed. 3., as described in Laser Notice No. 56, dated May 8, 2019

## Switching point

