

## O500.ZR-GW1T.72CU

Diffuse sensors with intensity difference - for longer ranges

Article number: 11128020

### overview

- intensity difference
- 20 ... 600 mm
- pulsed red LED
- push-pull
- qTeach
- -25 ... 60 °C
- IP 67



Picture similar



### Technical data

#### general data

type	intensity difference
light source	pulsed red LED
sensing distance Tw	20 ... 600 mm
power on indication	LED green
light indicator	LED yellow
sensing distance adjustment	qTeach
wave length	630 nm
suppression of reciprocal influence	yes
alignment optical axis	< 1°

#### electrical data

response time / release time	< 1 ms
voltage supply range +Vs	10 ... 30 VDC
current consumption max. (no load)	40 mA
current consumption typ.	30 mA

#### electrical data

voltage drop Vd	< 3 VDC
output function	light / dark operate
output circuit	push-pull
output current	< 100 mA
short circuit protection	yes
reverse polarity protection	yes

#### mechanical data

width / diameter	18 mm
height / length	45 mm
depth	32 mm
type	rectangular
housing material	plastic (ASA, PMMA)
front (optics)	PMMA
connection types	cable 4 pin, 2 m

#### ambient conditions

operating temperature	-25 ... +60 °C
protection class	IP 67

### remarks

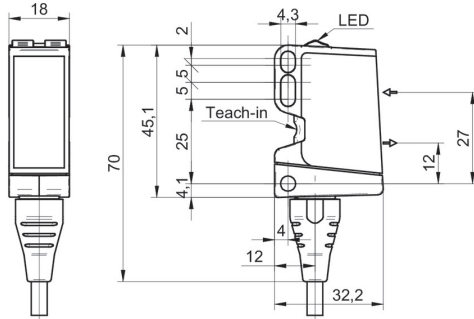
- qTeach

# O500.ZR-GW1T.72CU

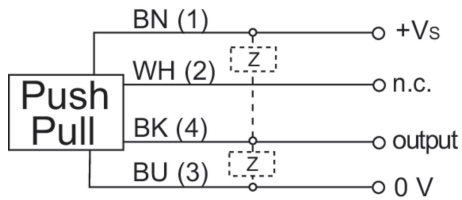
Diffuse sensors with intensity difference - for longer ranges

Article number: 11128020

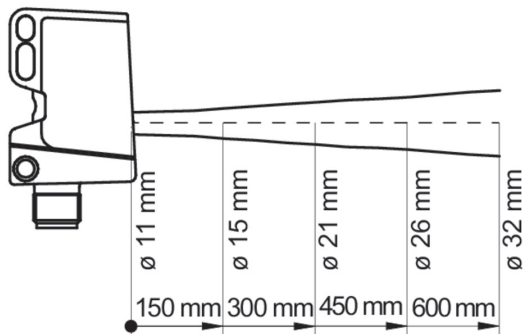
## dimension drawing



## connection diagram



## beam characteristic (typically)



## relative receiving signal

