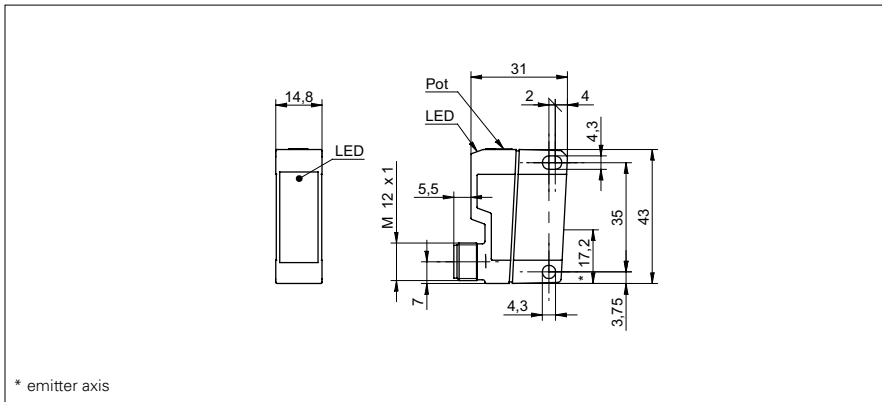


**Diffuse sensors with intensity difference**

**FZDK 14P5101/S14**

**dimension drawing**



**general data**

|                                     |                          |
|-------------------------------------|--------------------------|
| type                                | intensity difference     |
| light source                        | pulsed red LED           |
| sensing distance Tw                 | 5 ... 600 mm             |
| alignment / soiled lens indicator   | flashing light indicator |
| light indicator                     | LED yellow               |
| sensitivity adjustment              | potentiometer, 270°      |
| wave length                         | 660 nm                   |
| suppression of reciprocal influence | yes                      |

**electrical data**

|                                    |                      |
|------------------------------------|----------------------|
| response time / release time       | < 1 ms               |
| voltage supply range +Vs           | 10 ... 30 VDC        |
| current consumption max. (no load) | 25 mA                |
| current consumption typ.           | 20 mA                |
| voltage drop Vd                    | < 1,8 VDC            |
| output function                    | light / dark operate |
| output circuit                     | PNP                  |
| output current                     | < 100 mA             |
| short circuit protection           | yes                  |
| reverse polarity protection        | yes                  |

**mechanical data**

|                  |                     |
|------------------|---------------------|
| width / diameter | 14,8 mm             |
| height / length  | 43 mm               |
| depth            | 31 mm               |
| type             | rectangular         |
| housing material | plastic (ASA, MABS) |
| front (optics)   | PMMA                |
| connection types | connector M12 4 pin |

**ambient conditions**

|                       |                |
|-----------------------|----------------|
| operating temperature | -25 ... +65 °C |
| protection class      | IP 67          |

**photo**



**connection diagram**

