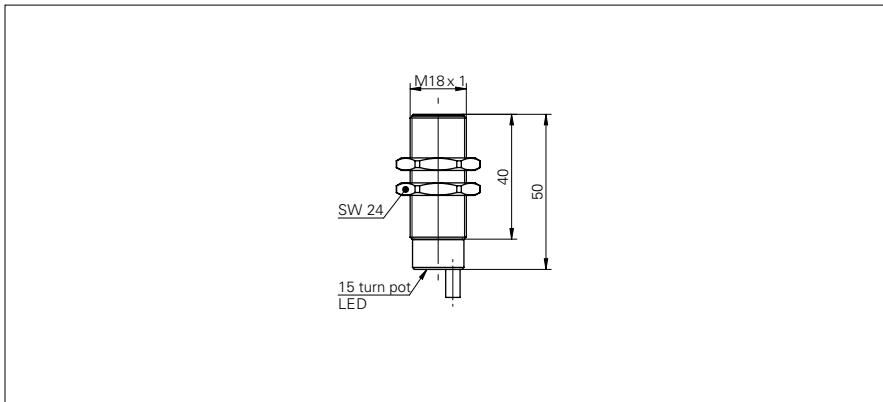


Diffuse sensors with intensity difference

FZAM 18P1155

dimension drawing



general data

| | |
|---|--------------------------|
| type | intensity difference |
| light source | pulsed infrared diode |
| sensing distance Tw | 20 ... 150 mm |
| sensing distance Tw (with doubling lense) | 30 ... 280 mm |
| alignment / soiled lens indicator | flashing light indicator |
| light indicator | LED yellow |
| sensitivity adjustment | potentiometer, 15 turn |
| wave length | 880 nm |
| suppression of reciprocal influence | yes |

electrical data

| | |
|------------------------------------|---------------|
| response time / release time | < 0,5 ms |
| voltage supply range +Vs | 10 ... 30 VDC |
| current consumption max. (no load) | 45 mA |
| current consumption typ. | 30 mA |
| voltage drop Vd | < 1,8 VDC |
| output function | light operate |
| output circuit | PNP |
| output current | < 200 mA |
| short circuit protection | yes |
| reverse polarity protection | yes |

mechanical data

| | |
|------------------|--------------------------|
| width / diameter | 18 mm |
| height / length | 50 mm |
| type | cylindrical threaded |
| housing material | brass nickel plated / PC |
| front (optics) | PC |
| connection types | cable 3 pin, 2 m |

ambient conditions

| | |
|-----------------------|----------------|
| operating temperature | -25 ... +55 °C |
| protection class | IP 65 |

photo



connection diagram

