

# ONDK 25G6911/S14

SmartReflect Light barriers - for longer ranges

Article number: 11079994

## Overview

- light barrier
- 100 ... 1900 mm
- pulsed red laser diode
- push-pull
- Teach-in
- connector M12 5 pin
- 50 °C
- IP 67



Picture similar



## Technical data

### General data

Type	Light barrier
Version	Standard object detection
Light source	Pulsed red laser diode
Background position Sde	100 ... 1900 mm
Scanning range Sa	97% ... 83% Sde
Alignment / soiled lens indicator	Flashing light indicator
Power on indication	LED green
Light indicator	LED yellow
Sensing distance adjustment	Teach-in
Laser class	1
Wave length	656 nm
Beam diameter	3,7 ... 22 mm

### Electrical data

Response time / release time	< 10 ms
Voltage supply range +Vs	10 ... 30 VDC
Current consumption max. (no load)	80 mA

### Electrical data

Voltage drop Vd	< 3,5 VDC
Output function	Light / dark operate
Output circuit	Push-pull
Output current	< 100 mA
Short circuit protection	Yes
Reverse polarity protection	Yes

### Mechanical data

Width / diameter	23,4 mm
Height / length	63 mm
Depth	45 mm
Type	Rectangular
Housing material	Plastic (SAN LURAN 378P)
Front (optics)	PMMA
Connection types	Connector M12 5 pin

### Ambient conditions

Operating temperature	0 ... +50 °C
Protection class	IP 67
Storage temperature	-10 ... +70 °C

## Remarks

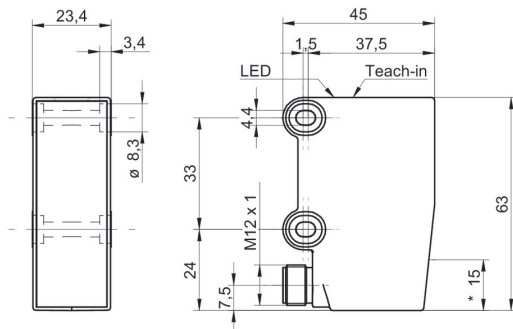
- qTeach

# ONDK 25G6911/S14

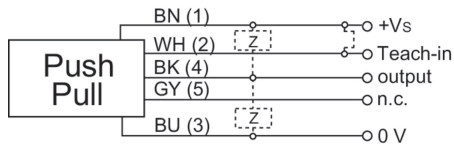
SmartReflect Light barriers - for longer ranges

Article number: 11079994

## Dimension drawing



## Connection diagram



## Laser warning

**CLASS 1 LASER  
PRODUCT**

IEC 60825-1/2014

Complies with 21 CFR 1040.10 and 1040.11 except for conformance with IEC 60825-1 Ed. 3., as described in Laser Notice No. 56, dated May 8, 2019

## Switching point

