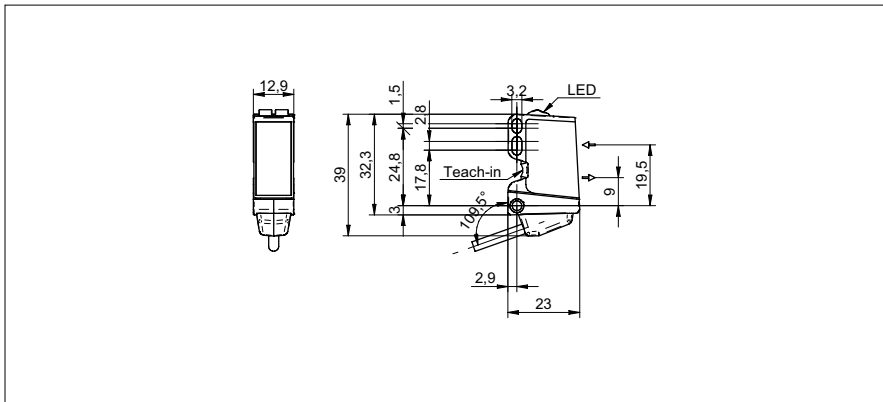


# Diffuse sensors with background suppression

**O300.GR-11199071**

**dimension drawing**



**general data**

type	background suppression
version	line beam
light source	pulsed red LED
sensing distance Tw	30 ... 180 mm
sensing range Tb	15 ... 180 mm
power on indication	LED green
light indicator	LED yellow
sensing distance adjustment	qTeach
wave length	630 nm
suppression of reciprocal influence	yes
beam type	line
alignment optical axis	< 2°

**electrical data**

response time / release time	< 1,5 ms
voltage supply range +Vs	10 ... 30 VDC
current consumption max. (no load)	45 mA
current consumption typ.	30 mA
voltage drop Vd	< 3 VDC
output function	light / dark operate
output circuit	push-pull
output current	< 100 mA
short circuit protection	yes
reverse polarity protection	yes

**mechanical data**

width / diameter	12,9 mm
height / length	32,3 mm
depth	23 mm
type	rectangular
housing material	plastic (ASA, PMMA)
front (optics)	PMMA
connection types	cable 4 pin, 2 m

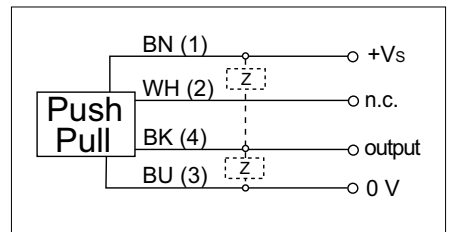
**ambient conditions**

operating temperature	-25 ... +60 °C
protection class	IP 67

**photo**



**connection diagram**

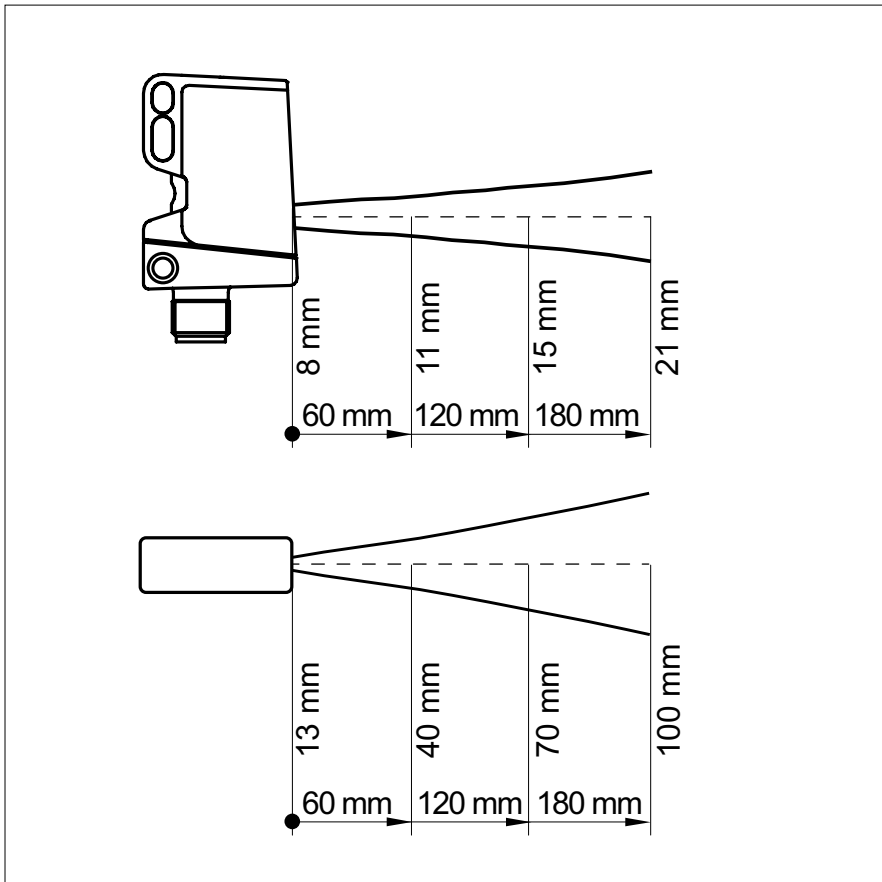


• qTeach

# Diffuse sensors with background suppression

O300.GR-11199071

beam characteristic (typically)



sensing distance diagram

