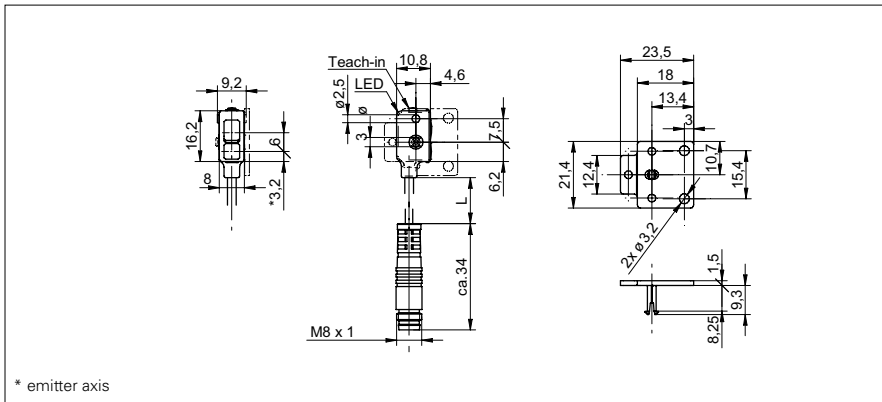


Diffuse sensors with background suppression

FHDK 07N6901/KS35A

dimension drawing



general data

| | |
|-------------------------------------|--------------------------|
| type | background suppression |
| light source | pulsed red LED |
| sensing distance T_w | 10 ... 60 mm |
| sensing range T_b (at T_w max.) | 2 ... 60 mm |
| sensing range T_b (at T_w min.) | 5 ... 10 mm |
| alignment / soiled lens indicator | flashing light indicator |
| light indicator | LED green |
| output indicator | LED yellow |
| sensing distance adjustment | Teach-in |
| wave length | 660 nm |
| suppression of reciprocal influence | yes |

electrical data

| | |
|------------------------------------|----------------------|
| response time / release time | < 0,5 ms |
| voltage supply range +Vs | 10 ... 30 VDC |
| current consumption max. (no load) | 25 mA |
| current consumption typ. | 20 mA |
| voltage drop V_d | < 1,8 VDC |
| output function | light / dark operate |
| output circuit | NPN |
| output current | < 100 mA |
| short circuit protection | yes |
| reverse polarity protection | yes |

mechanical data

| | |
|------------------|--------------------------------------|
| width / diameter | 8 mm |
| height / length | 16,2 mm |
| depth | 10,8 mm |
| type | rectangular |
| housing material | plastic (PMMA, MABS, PA) |
| front (optics) | PMMA |
| connection types | flylead connector M8 4 pin, L=200 mm |

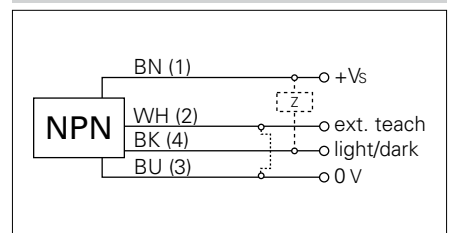
ambient conditions

| | |
|-----------------------|----------------|
| operating temperature | -20 ... +50 °C |
| protection class | IP 65 |

photo



connection diagram



- sensitivity adjustable: via Teach-in button or Teach-in wire input