

## FHDK 04G6102/KS35A

Diffuse sensors with background suppression - subminiature

Article number: 10162787

### overview

- background suppression
- 50 mm -3 mm / +5 mm
- pulsed point source LED
- push-pull
- flylead connector M8 4 pin, L=200 mm
- -10 ... 50 °C
- IP 65



Picture similar



### Technical data

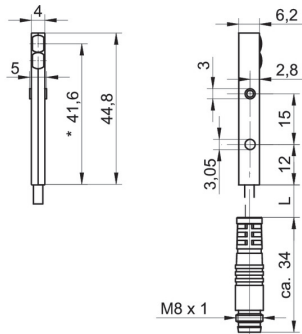
general data		electrical data	
type	background suppression	voltage drop Vd	< 2 VDC
light source	pulsed point source LED	output function	light operate
sensing distance Tw	50 mm -3 mm / +5 mm	output circuit	push-pull
alignment / soiled lens indicator	flashing light indicator	output current	< 50 mA
light indicator	LED yellow	short circuit protection	yes
wave length	660 nm	reverse polarity protection	yes, supply only
beam diameter	2 mm	<b>mechanical data</b>	
suppression of reciprocal influence	yes	width / diameter	4 mm
<b>electrical data</b>		height / length	44,8 mm
response time / release time	< 0,5 ms	depth	6,2 mm
voltage supply range +Vs	11 ... 30 VDC	type	rectangular
current consumption max. (no load)	30 mA	housing material	plastic (ASA)
current consumption typ.	20 mA	front (optics)	PMMA
		connection types	flylead connector M8 4 pin, L=200 mm
		<b>ambient conditions</b>	
		operating temperature	-10 ... +50 °C
		protection class	IP 65

# FHDK 04G6102/KS35A

Diffuse sensors with background suppression - subminiature

Article number: 10162787

## dimension drawing



## connection diagram

