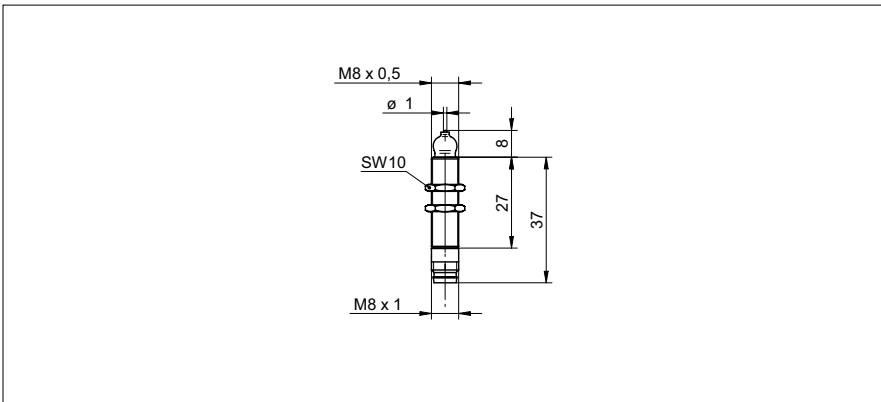


My-Com precision switches

MY-COM M75N/S35

dimension drawing



general data

repeat accuracy	< 0,001 mm
activating force	75 cN
mech. pre-run / overrun	- / 1,5 mm approx.
measurement type	contact with medium
direction of approach	frontal

electrical data

voltage supply range +Vs	5 ... 36 VDC
load current max. at 24 VDC	50 mA
load resistance min.	480 Ohm
output circuit	NPN make function (NO)

mechanical data

activating pin	zirconium oxide ZrO ₂
housing material	brass nickel plated
dimension	8 mm
type	cylindrical threaded
housing length	37 mm
connection types	connector M8

ambient conditions

operating temperature	-20 ... +75 °C
protection class	IP 67

photo



connection diagram

