

MY-COM L75P/200/L

My-Com precision switches

Article number: 10222699

overview

- PNP make function (NO)
- cable, 2 m
- -20 ... 75 °C
- IP 67



Technical data

general data

repeat accuracy	< 0,001 mm
activating force	75 cN
mech. pre-run / overrun	- / 0,6 mm approx.
measurement type	contact with medium
direction of approach	frontal
output indicator	LED red

electrical data

voltage supply range +Vs	5 ... 36 VDC
load current max. at 24 VDC	50 mA
output circuit	PNP make function (NO)

electrical data

load resistance min.	480 Ohm
----------------------	---------

mechanical data

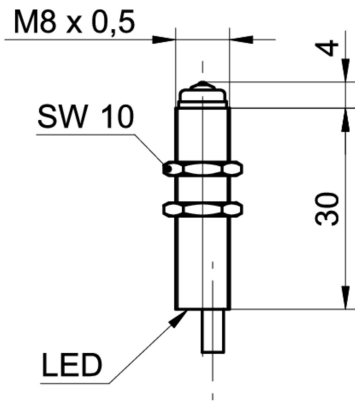
activating pin	ruby
housing material	brass nickel plated
dimension	8 mm
type	cylindrical threaded
housing length	30 mm
connection types	cable, 2 m

ambient conditions

operating temperature	-20 ... +75 °C
protection class	IP 67

MY-COM L75P/200/L

dimension drawing



connection diagram

