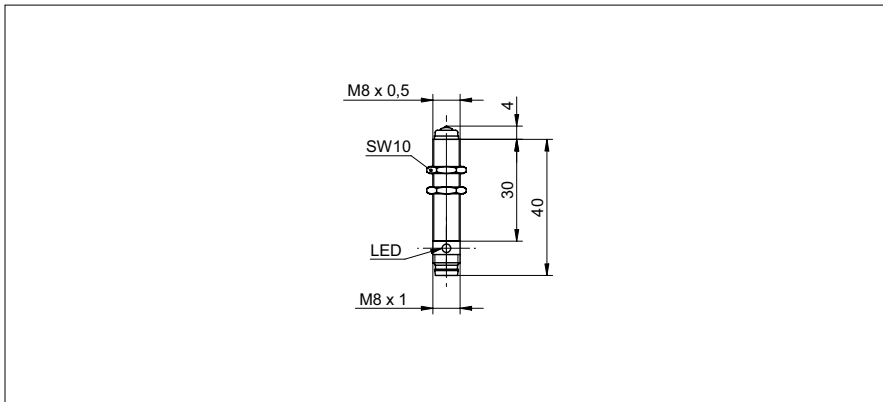


My-Com precision switches

MY-COM L75N/S35L

dimension drawing



general data

repeat accuracy	< 0,001 mm
activating force	75 cN
mech. pre-run / overrun	- / 0,6 mm approx.
measurement type	contact with medium
direction of approach	frontal
output indicator	LED red

electrical data

voltage supply range +Vs	5 ... 36 VDC
load current max. at 24 VDC	50 mA
load resistance min.	480 Ohm
output circuit	NPN make function (NO)

mechanical data

activating pin	ruby
housing material	brass nickel plated
dimension	8 mm
type	cylindrical threaded
housing length	40 mm
connection types	connector M8

ambient conditions

operating temperature	-20 ... +75 °C
protection class	IP 67

photo



connection diagram

