

## MY-COM E75P/200/L

My-Com precision switches

Article number: 10241446

### overview

- PNP make function (NO)
- cable, 2 m
- -20 ... 75 °C
- IP 50



### Technical data

#### general data

repeat accuracy	< 0,001 mm
activating force	75 cN
mech. pre-run / overrun	- / 0,8 ... 1,5 mm approx.
measurement type	contact with medium
direction of approach	frontal and lateral approach
output indicator	LED red

#### electrical data

voltage supply range +Vs	5 ... 36 VDC
load current max. at 24 VDC	50 mA
output circuit	PNP make function (NO)

#### electrical data

load resistance min.	480 Ohm
----------------------	---------

#### mechanical data

activating pin	hardened steel
housing material	brass nickel plated
dimension	6 mm
type	cylindrical threaded
housing length	47 mm
connection types	cable, 2 m

#### ambient conditions

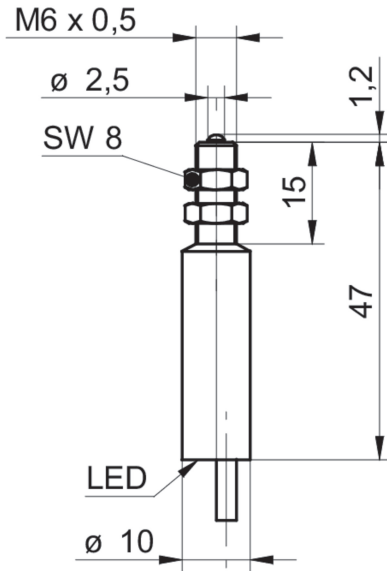
operating temperature	-20 ... +75 °C
protection class	IP 50

# MY-COM E75P/200/L

My-Com precision switches

Article number: 10241446

## dimension drawing



## connection diagram

