

Overview

- 0,3 ... 8,5 m
- push-pull
- qTeach / external
- connector M12
- -40 ... 65 °C
- IP 68/69K & proTect+



Picture similar



Technical data

General data

Scanning range Sd	0.3 ... 8.5 m
Reflector position Sde	0.3 ... 8.5 m
Adjusting range reflector (operating range)	± 4 % Sde
Adjusting range reflector (limit range)	± 8 % Sde
Response time ton	< 5.3 ms
Release time toff	< 5.3 ms
Adjustment	qTeach / external
Alignment aid	Light indicator flashing
Light indicator	LED yellow
Power on indication	LED green
Carrier frequency	122 ... 123 GHz
Band width	1 GHz
Range resolution	500 mm
Modulation type	FMCW
Transmitting power (EIRP)	< +20 dBm
Aperture angle	6 °
Approvals/certificates	Ecolab FCC / CFR-47 part 18 (USA) EN 305 550-1 V.1.2.1 (European Union) EN 305 550-2 V.1.2.1 (European Union)

Electrical data

Voltage supply range +Vs	12 ... 30 VDC
Current consumption max. (no load)	210 mA
Voltage drop Vd	< 2.5 VDC
Short circuit protection	Yes
Reverse polarity protection	Yes, Vs to GND
Output circuit	Push-pull
Output current	< 100 mA

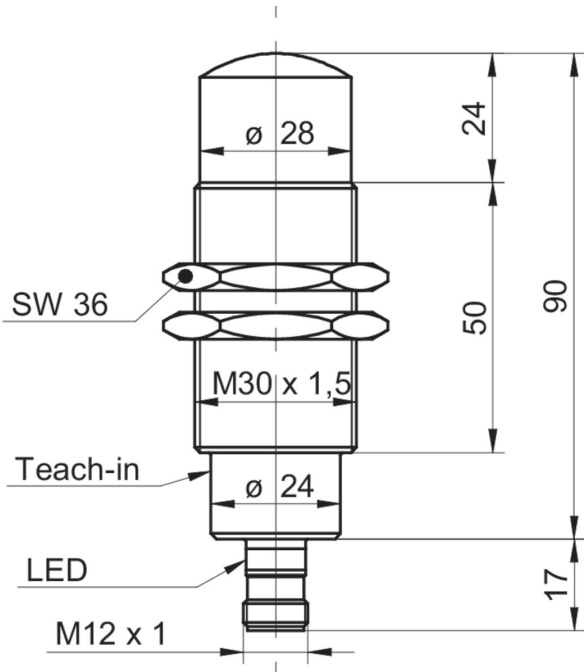
Mechanical data

Type	Cylindrical threaded
Housing material	Stainless steel 1.4404 (V4A)
Width / diameter	30 mm
Height / length	90 mm
Connection types	Connector M12

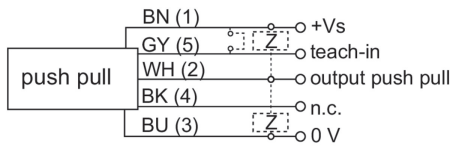
Ambient conditions

Operating temperature	-40 ... +65 °C
Storage temperature	-40 ... +85 °C
Protection class	IP 68/69K & proTect+

Dimension drawing



Connection diagram



Pin assignment

