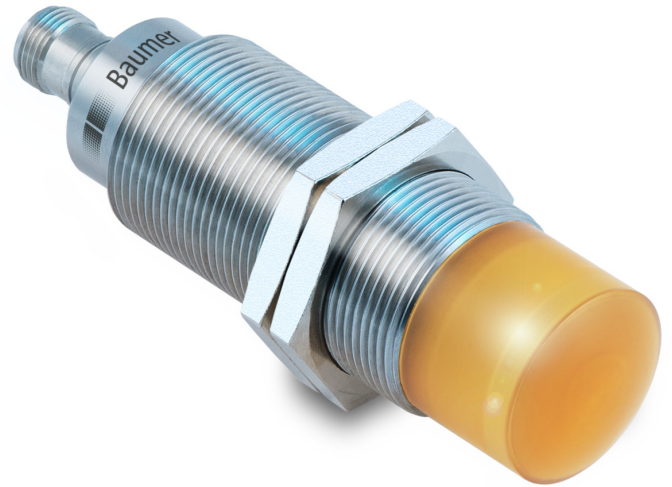


Overview

- 0,3 ... 40 m
- RS 485 / push-pull
- qTeach
- connector M12
- -40 ... 65 °C
- IP 68/69K & proTect+



Picture similar



Technical data

General data

Scanning range Sd	0.3 ... 40 m
Scanning range close limit Sdc	0.3 ... 40 m
Scanning range far limit Sde	0.3 ... 40 m
Repeat accuracy	< 1 mm
Response time ton	< 6.5 ms
Release time toff	< 6.5 ms
Temperature drift	<± 10 mm (Full Scale)
Adjustment	qTeach
Alignment aid	Light indicator flashing
Light indicator	LED yellow
Power on indication	LED green
Carrier frequency	122 ... 123 GHz
Band width	1 GHz
Range resolution	500 mm
Hysteresis typ.	40 mm
Linearity error	± 4 mm
Modulation type	FMCW
Transmitting power (EIRP)	< +20 dBm
Aperture angle	6 °
Approvals/certificates	Ecolab Approved for European Union, USA FCC / CFR-47 part 18 (USA) EN 305 550-1 V.1.2.1 (European Union) EN 305 550-2 V.1.2.1 (European Union)

Electrical data

Voltage supply range +Vs	12 ... 30 VDC
Current consumption max. (no load)	210 mA
Baud rate	57600, adjustable
Short circuit protection	Yes
Reverse polarity protection	Yes, Vs to GND
Output circuit	RS 485 / push-pull
Output current	< 100 mA
Switching output	Push-pull
Output function	NO / NC adjustable
Voltage drop Vd	< 2.5 VDC

Mechanical data

Type	Cylindrical threaded
Housing material	Stainless steel 1.4404 (V4A)
Width / diameter	30 mm
Height / length	90 mm
Connection types	Connector M12

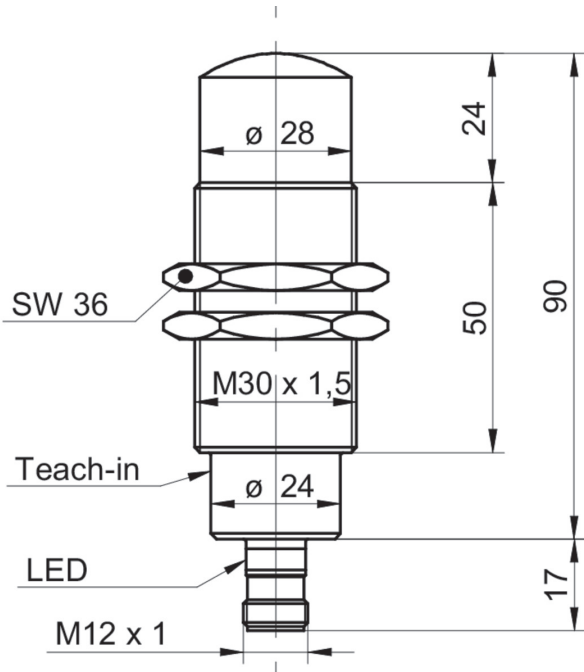
Ambient conditions

Operating temperature	-40 ... +65 °C
Storage temperature	-40 ... +85 °C
Protection class	IP 68/69K & proTect+

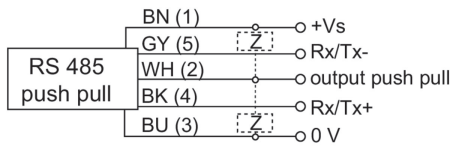
Remarks

- Scanning range Sd 8,5 m or 40 m selectable via command

Dimension drawing



Connection diagram



Pin assignment

