

Overview

- 0,5 ... 40 m
- current output / push-pull
- qTeach / external
- connector M12
- -40 ... 65 °C
- IP 68/69K & proTect+



Picture similar

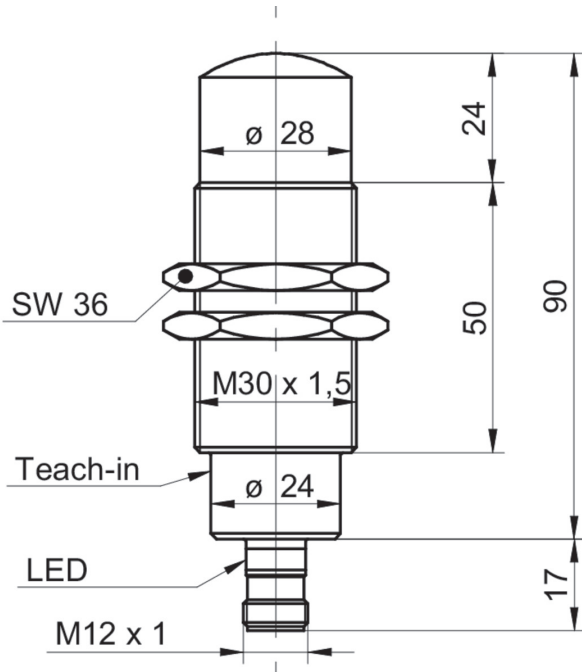


Technical data

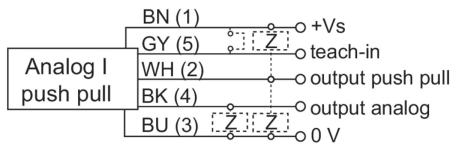
General data		Electrical data	
Scanning range Sd	0.5 ... 40 m	Voltage supply range +Vs	15 ... 30 VDC
Scanning range close limit Sdc	0.5 ... 40 m	Current consumption max. (no load)	210 mA
Scanning range far limit Sde	0.5 ... 40 m	Short circuit protection	Yes
Repeat accuracy	< 1 mm	Reverse polarity protection	Yes, Vs to GND
Response time ton	< 16.4 ms	Output circuit	Current output / push-pull
Release time toff	< 16.4 ms	Output signal	4 ... 20 mA / 20 ... 4 mA
Temperature drift	<± 10 mm (Full Scale)	Output current	< 100 mA
Adjustment	qTeach / external	Switching output	Push-pull
Alignment aid	Light indicator flashing	Output function	NO / NC adjustable
Light indicator	LED yellow	Voltage drop Vd	< 2.5 VDC
Power on indication	LED green	Mechanical data	
Carrier frequency	122 ... 123 GHz	Type	Cylindrical threaded
Band width	1 GHz	Housing material	Stainless steel 1.4404 (V4A)
Range resolution	500 mm	Width / diameter	30 mm
Hysteresis typ.	40 mm	Height / length	90 mm
Linearity error	± 4 mm	Connection types	Connector M12
Modulation type	FMCW	Ambient conditions	
Transmitting power (EIRP)	< +20 dBm	Operating temperature	-40 ... +65 °C
Aperture angle	6 °	Storage temperature	-40 ... +85 °C
Approvals/certificates	Ecolab FCC / CFR-47 part 18 (USA) EN 305 550-1 V.1.2.1 (European Union) EN 305 550-2 V.1.2.1 (European Union)	Protection class	IP 68/69K & proTect+

The product features and technical data specified do not express or imply any warranty. Technical modifications subject to change.

Dimension drawing



Connection diagram



Pin assignment

