

**Overview**

- 0,3 ... 8,5 m
- current output / push-pull
- qTeach / external
- connector M12
- -40 ... 65 °C
- IP 68/69K & proTect+



Picture similar



**Technical data**

**General data**

Scanning range Sd	0.3 ... 8.5 m
Scanning range close limit Sdc	0.3 ... 8.5 m
Scanning range far limit Sde	0.3 ... 8.5 m
Repeat accuracy	< 1 mm
Response time ton	< 6.5 ms
Release time toff	< 6.5 ms
Temperature drift	<± 10 mm (Full Scale)
Adjustment	qTeach / external
Alignment aid	Light indicator flashing
Light indicator	LED yellow
Power on indication	LED green
Carrier frequency	122 ... 123 GHz
Band width	1 GHz
Range resolution	500 mm
Hysteresis typ.	40 mm
Linearity error	± 4 mm
Modulation type	FMCW
Transmitting power (EIRP)	< +20 dBm
Aperture angle	6 °
Approvals/certificates	Ecolab FCC / CFR-47 part 18 (USA) EN 305 550-1 V.1.2.1 (European Union) EN 305 550-2 V.1.2.1 (European Union)

**Electrical data**

Voltage supply range +Vs	15 ... 30 VDC
Current consumption max. (no load)	210 mA
Short circuit protection	Yes
Reverse polarity protection	Yes, Vs to GND
Output circuit	Current output / push-pull
Output signal	4 ... 20 mA / 20 ... 4 mA
Output current	< 100 mA
Switching output	Push-pull
Output function	NO / NC adjustable
Voltage drop Vd	< 2.5 VDC

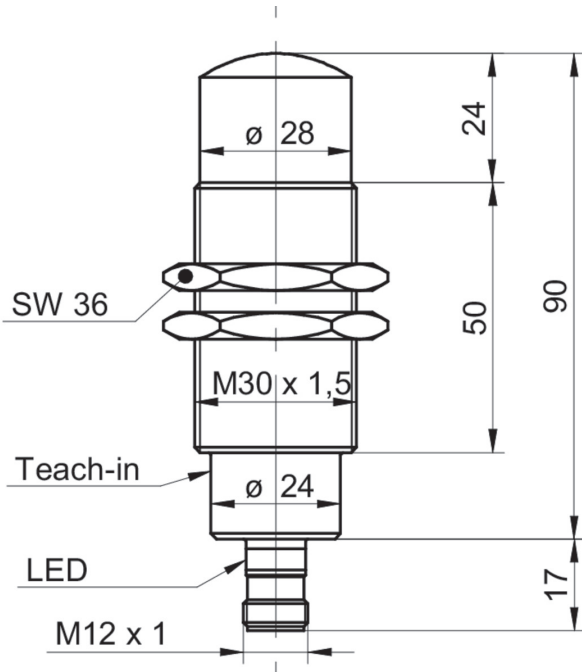
**Mechanical data**

Type	Cylindrical threaded
Housing material	Stainless steel 1.4404 (V4A)
Width / diameter	30 mm
Height / length	90 mm
Connection types	Connector M12

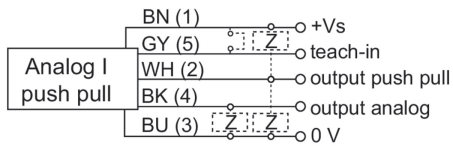
**Ambient conditions**

Operating temperature	-40 ... +65 °C
Storage temperature	-40 ... +85 °C
Protection class	IP 68/69K & proTect+

**Dimension drawing**



**Connection diagram**



**Pin assignment**

