

overview

- emitter
- 0... 2000 mm
- connector M12 5 pin
- -25 ... 65 °C
- IP 67



Technical data

general data

emitter / receiver	emitter
scanning range Sd	0... 2000 mm
scanning range far limit Sde	0... 2000 mm
sonic frequency	200 kHz
power on indication	LED green

electrical data

voltage supply range +Vs	12 ... 30 VDC
current consumption typ.	25 mA
residual ripple	< 10 % Vs
short circuit protection	yes
reverse polarity protection	yes, Vs to GND

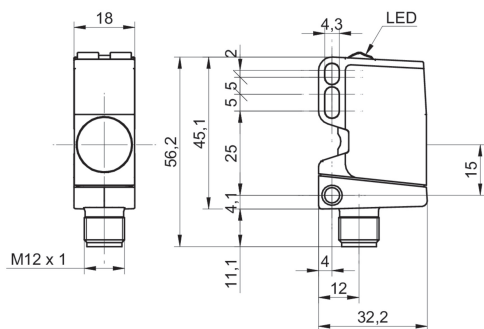
mechanical data

type	rectangular
housing material	plastic (ASA, PMMA)
coating active face	PEEK
width / diameter	18 mm
height / length	45 mm
depth	32 mm
connection types	connector M12 5 pin

ambient conditions

operating temperature	-25 ... +65 °C
storage temperature	-40 ... +75 °C
protection class	IP 67

dimension drawing



connection diagram

