

## U500.DA0-IA1B.72CU

Ultrasonic distance measuring sensors - standard

Article number: 11135757

### Overview

- 100 ... 1000 mm
- current output
- qTeach
- cable PUR 4 x 0,25, 2 m
- -25 ... 60 °C
- IP 67



Picture similar



### Technical data

#### General data

Scanning range Sd	100 ... 1000 mm
Scanning range close limit Sdc	100 ... 1000 mm
Scanning range far limit Sde	100 ... 1000 mm
Repeat accuracy	0.5 mm
Resolution	< 0.3 mm
Response time ton	< 80 ms
Release time toff	< 80 ms
Temperature drift	< 2 % of distance to target So
Power-up drift	Compensated after 15 min.
Sonic frequency	220 kHz
Adjustment	qTeach
Light indicator	LED yellow
Power on indication	LED green
Alignment measuring axis	< 2°

#### Electrical data

Voltage supply range +Vs	12 ... 30 VDC
--------------------------	---------------

#### Electrical data

Current consumption typ.	38 mA
Output circuit	Current output
Output signal	4 ... 20 mA / 20 ... 4 mA
Residual ripple	< 10 % Vs
Short circuit protection	Yes
Reverse polarity protection	Yes, Vs to GND

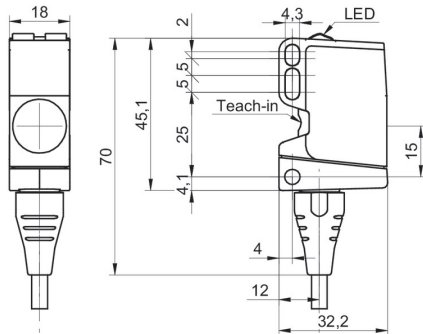
#### Mechanical data

Type	Rectangular
Housing material	Plastic (ASA, PMMA)
Width / diameter	18 mm
Height / length	45 mm
Depth	32 mm
Connection types	Cable PUR 4 x 0,25, 2 m

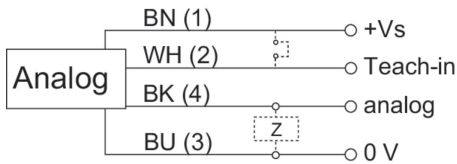
#### Ambient conditions

Operating temperature	-25 ... +60 °C
Storage temperature	-40 ... +75 °C
Protection class	IP 67

**Dimension drawing**



**Connection diagram**



**Typical sonic cone profile**

