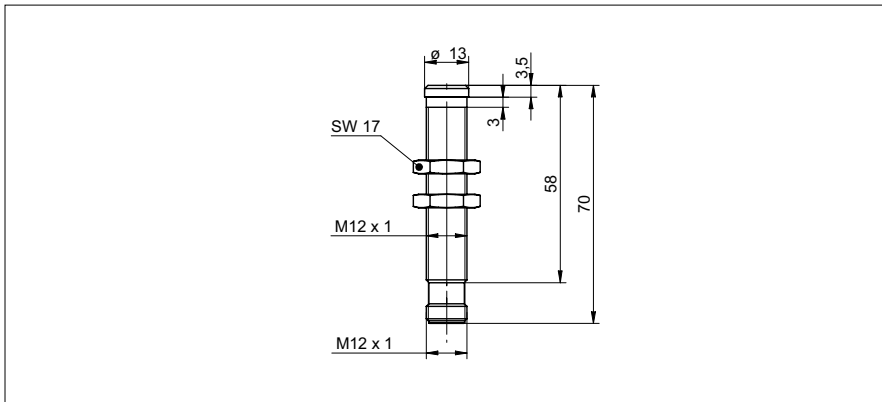


**Ultrasonic retro-reflective sensors**

**URAR 12N8914/S14H**

**dimension drawing**



**general data**

special type	chemically robust
scanning range Sd	0 ... 200 mm
reflector position Sde	40 ... 200 mm
adjusting range reflector (operating range)	± 2,5 % Sde
adjusting range reflector (limit range)	± 5 % Sde
repeat accuracy	< 1,5 mm
temperature drift	< 2 % Sde
response time ton	< 6 ms
release time toff	< 6 ms
switching frequency	< 200 Hz
sonic frequency	380 kHz
adjustment	external Teach-in
alignment aid	no LED
approvals/certificates	Ecolab

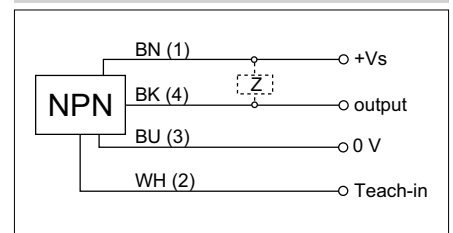
**photo**



**electrical data**

voltage supply range +Vs	12 ... 30 VDC
current consumption max. (no load)	35 mA
output circuit	NPN make function (NO) / break function (NC)
output current	< 200 mA
voltage drop Vd	< 2 VDC
residual ripple	< 10 % Vs
short circuit protection	yes
reverse polarity protection	yes

**connection diagram**



**mechanical data**

type	cylindrical threaded
housing material	stainless steel 1.4404 (V4A)
width / diameter	12 mm
height / length	70 mm
connection types	connector M12
coating active face	Parylene
material O-ring	EPDM
front of sensor durable against pressure	6 bar, 20'000 cycle

**ambient conditions**

operating temperature	0 ... +60 °C
protection class	IP 67



- chemically robust version

# Ultrasonic retro-reflective sensors

# URAR 12N8914/S14H

typical sonic cone profile

