

## IWRP 16I8704/S14C

Inductive distance sensors - pressure resistant

Article number: 11167164

### Overview

- 0 ... 4 mm
- current output
- external Teach-in
- connector M12 5 pin
- -25 ... 75 °C (Vs = 8 ... 30 VDC)
- -25 ... 60 °C (Vs = 8 ... 36 VDC)
- IP 68/67 (sensing face/sensor)



Picture similar



### Technical data

#### General data

|                       |  |
|-----------------------|--|
| Mounting type         | Flush  |
| Special type          | High pressure<br>Linearized                    |
| Measuring distance Sd | 0 ... 4 mm                                     |
| Sensitivity           | 4,0 mA/mm                                      |
| Resolution            | < 0,005 mm (stat.)<br>< 0,005 mm (dynam.)      |
| Repeat accuracy       | < 0,01 mm                                      |
| Adjustment            | External Teach-in                              |
| Teach                 | 1-point analog, 2-point analog, factory re-set |
| Linearity error       | ± 120 µm (S = 0 ... 4 mm)                      |
| Temperature drift     | ± 10 % (Full Scale)                            |

#### Electrical data

|  |                |
|--|----------------|
| Response time (factory characteristic) | < 1 ms         |
| Voltage supply range +Vs               | 8 ... 36 VDC   |
| Current consumption max. (no load)     | 15 mA          |
| Output circuit                         | Current output |
| Output signal                          | 4 ... 20 mA    |

#### Electrical data

|                             |   |
|-----------------------------|---|
| Load resistance             | < 50 Ohm/V * Vs - 250 Ohm > 500 Ohm<br>(Vs = 30 ... 36 VDC) |
| Short circuit protection    | Yes   |
| Reverse polarity protection | Yes   |

#### Mechanical data

|                            |                      |
|----------------------------|----------------------|
| Type                       | Cylindrical threaded |
| Material (sensing face)    | Ceramic              |
| Housing material           | Stainless steel      |
| Dimension                  | 16 mm                |
| Housing length             | 61 mm                |
| Connection types           | Connector M12 5 pin  |
| Tightening torque max.     | 30 Nm                |
| Peak pressure              | 600 bar              |
| Operating pressure static  | < 300 bar            |
| Operating pressure dynamic | < 250 bar            |

#### Ambient conditions

|                       |  |
|-----------------------|--|
| Operating temperature | -25 ... +75 °C (Vs = 8 ... 30 VDC)<br>-25 ... +60 °C (Vs = 8 ... 36 VDC) |
| Protection class      | IP 68/67 (sensing face/sensor)   |

### Remarks

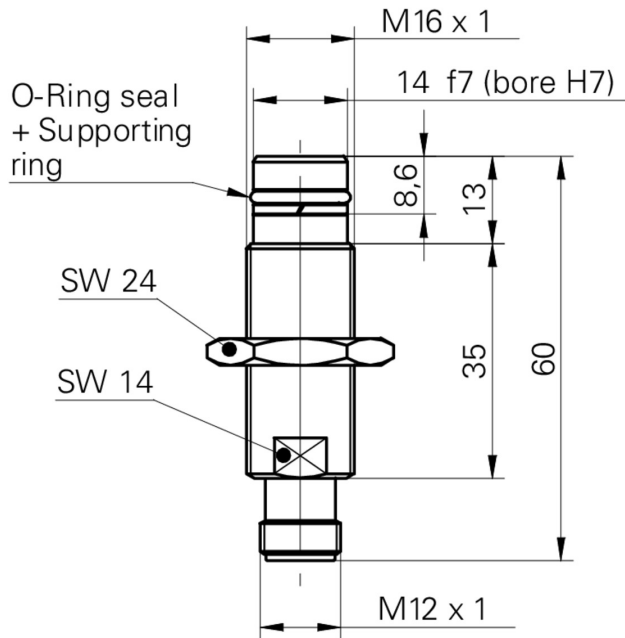
- External Teach-in
- Linear analog output

# IWRP 16I8704/S14C

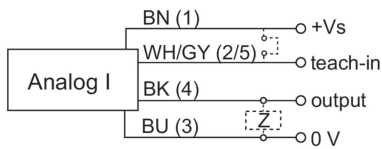
Inductive distance sensors - pressure resistant

Article number: 11167164

## Dimension drawing



## Connection diagram



## Pin assignment

