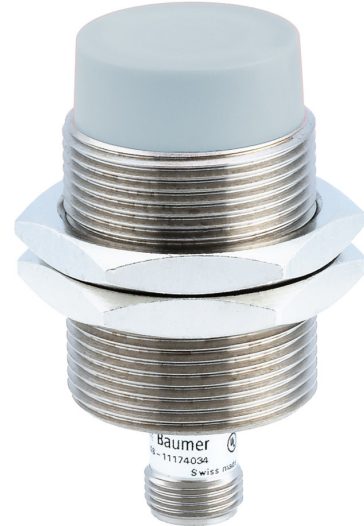


**Overview**

- 0 ... 24 mm
- current output
- connector M12
- -25 ... 75 °C
- IP 67



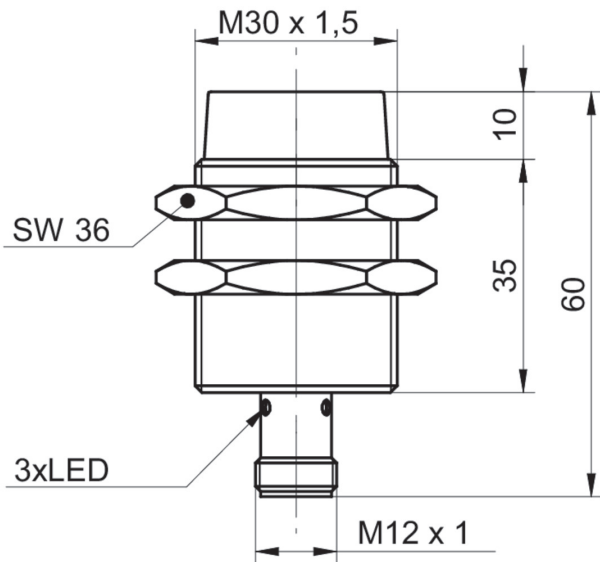
Picture similar



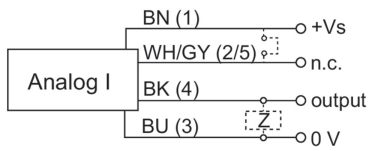
**Technical data**

General data		Electrical data	
Mounting type	Non-flush	Output signal	4 ... 20 mA
Measuring distance Sd	0 ... 24 mm	Load resistance	< 50 Ohm/V * Vs - 250 Ohm > 500 Ohm (Vs = 30 ... 36 VDC)
Resolution	< 0,005 mm (stat.) < 0,01 mm (dynam.)	Short circuit protection	Yes
Repeat accuracy	< 0,02 mm	Reverse polarity protection	Yes
Linearity error	± 800 µm (S = 6 ... 18 mm) ± 3000 µm (S = 0 ... 24 mm)	Mechanical data	
Temperature drift	± 8 % (Full Scale)	Type	Cylindrical threaded
Electrical data		Housing material	Brass nickel plated
Response time (factory characteristic)	< 2 ms	Dimension	30 mm
Voltage supply range +Vs	8 ... 36 VDC	Housing length	60 mm
Current consumption max. (no load)	20 mA	Connection types	Connector M12
Output circuit	Current output	Tightening torque max.	100 Nm
		Ambient conditions	
		Operating temperature	-25 ... +75 °C
		Protection class	IP 67

**Dimension drawing**



**Connection diagram**



**Pin assignment**

