

Overview

- distance measuring
- 0 ... 18 mm
- PNP / push-pull
- IO-Link
- connector M12
- -25 ... 75 °C
- IP 67



Picture similar



Technical data

General data		Electrical data	
Mounting type	Flush	Reverse polarity protection	Yes
Special type	Linearized	Communication interface	
Type	Distance measuring	Interface	IO-Link V1.1
Measuring distance Sd	0 ... 18 mm	Baud rate	230,4 kBaud (COM 3)
Resolution	< 0,01 mm (High Accuracy Mode)	Cycle time	≥ 0,6 ms
Repeat accuracy	< 0,02 mm	Process data length	32 Bit
Adjustment	IO-Link	Process data structure	Bit 0 = SSC1 (distance) Bit 1 = SSC2 (distance) Bit 3 = alarm Bit 4 = SSC3 (frequency) Bit 5 = SSC4 (counter) Bit 16-31 = 16 Bit measurement
Teach	Single point, Two point, Window	IO-Link port type	Class A
Linearity error	± 360 µm	Adjustable parameters	Measuring range Switching point Switching hysteresis Measured value filtering Time filters LED status indicators Output logic Output circuit Counter Deactivate the sensor element Find Me function
Temperature drift	± 6 % (Full Scale)		
Hysteresis	< 99 % (adjustable)		
Power on indication	LED green		
Output indicator	LED yellow		
Electrical data			
Response time (factory characteristic)	< 2 ms		
Switching frequency	< 600 Hz		
Voltage supply range +Vs	8 ... 36 VDC		
Current consumption max. (no load)	15 mA		
Output circuit	PNP Push-pull IO-Link		
Output current	< 100 mA		
Short circuit protection	Yes		

Technical data

Communication interface

Additional data	Distance
	Frequency
	Operating cycles
	Operating hours
	Boot cycles
	Operating voltage
	Device temperature
	Histograms

Mechanical data

Type	Cylindrical threaded
------	----------------------

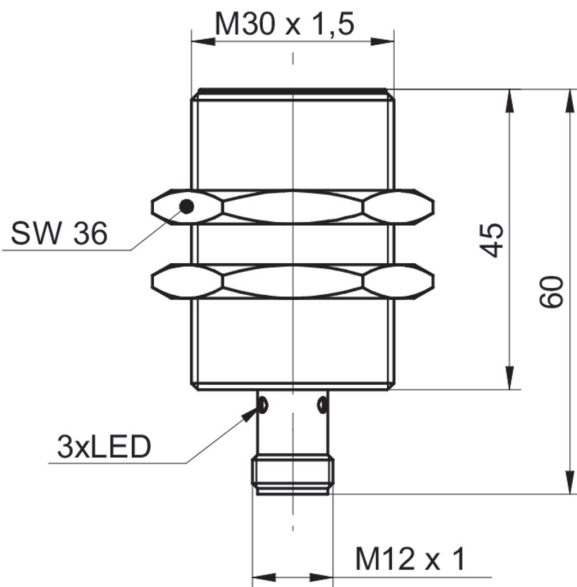
Mechanical data

Housing material	Brass nickel plated
Dimension	30 mm
Housing length	60 mm
Connection types	Connector M12
Tightening torque max.	100 Nm

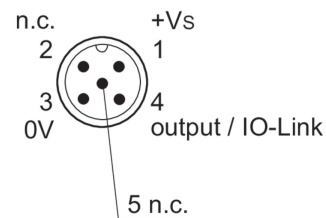
Ambient conditions

Operating temperature	-25 ... +75 °C
Protection class	IP 67

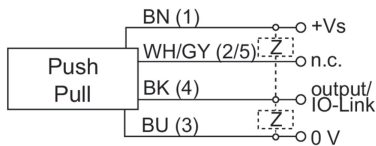
Dimension drawing



Pin assignment



Connection diagram



Resolution

