

Overview

- 0 ... 8 mm
- current output
- external Teach-in
- connector M12
- -25 ... 75 °C
- IP 67



Picture similar



Technical data

General data

Mounting type	Quasi-flush
Special type	Linearized
Measuring distance Sd	0 ... 8 mm
Sensitivity	2,0 mA/mm
Resolution	< 0,002 mm (stat.) < 0,006 mm (dynam.)
Repeat accuracy	< 0,015 mm
Adjustment	External Teach-in
Teach	1-point analog, 2-point analog, factory re-set
Linearity error	± 32 µm
Temperature drift	± 4 % (Full Scale)
Teach-Feedback	LED yellow

Electrical data

Response time (factory characteristic)	< 1 ms
Voltage supply range +Vs	12 ... 36 VDC
Current consumption max. (no load)	20 mA

Electrical data

Output circuit	Current output
Output signal	4 ... 20 mA
Load resistance	< 50 Ohm/V * Vs - 250 Ohm > 500 Ohm (Vs = 30 ... 36 VDC)
Short circuit protection	Yes
Reverse polarity protection	Yes

Mechanical data

Type	Cylindrical threaded
Housing material	Brass nickel plated
Dimension	18 mm
Housing length	60 mm
Connection types	Connector M12
Tightening torque max.	40 Nm

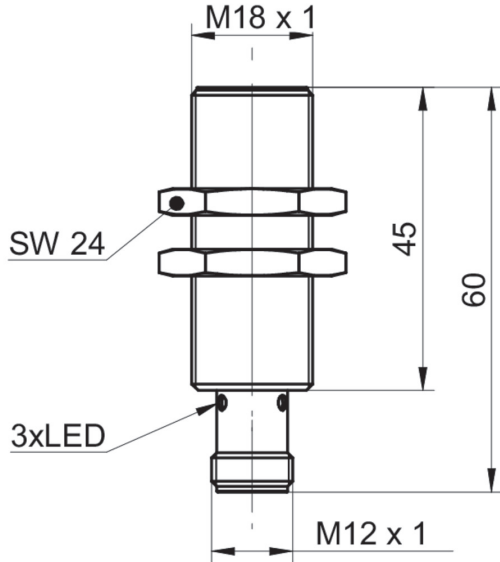
Ambient conditions

Operating temperature	-25 ... +75 °C
Protection class	IP 67

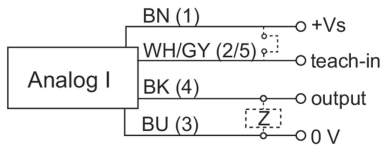
Remarks

- External Teach-in
- Linear analog output

Dimension drawing



Connection diagram



Pin assignment

