

## IR18.D08F-F60.UA1E.7BO

Inductive distance sensors - factor 1 - all metals

Article number: 11170540

### Overview

- 0 ... 8 mm
- voltage output
- external Teach-in
- connector M12
- -25 ... 75 °C
- IP 67



Picture similar



### Technical data

#### General data

Mounting type	Flush
Special type	Linearized Factor 1
Measuring distance Sd	0 ... 8 mm
Sensitivity	1,25 V/mm
Resolution	< 0,02 mm (stat.) < 0,03 mm (dynam.)
Repeat accuracy	< 0,03 mm
Adjustment	External Teach-in
Teach	1-point analog, 2-point analog, factory re-set
Linearity error	± 70 µm
Temperature drift	± 3 % (Full Scale; S = 0 ... 6 mm) ± 5 % (Full Scale; S = 0 ... 8 mm)
Teach-Feedback	LED yellow

#### Electrical data

Response time (factory characteristic)	< 15 ms
--	---------

#### Electrical data

Voltage supply range +Vs	12 ... 36 VDC
Current consumption max. (no load)	15 mA
Output circuit	Voltage output
Output signal	0 ... 10 VDC
Load resistance	> 4000 Ohm
Short circuit protection	Yes
Reverse polarity protection	Yes

#### Mechanical data

Type	Cylindrical threaded
Housing material	Brass nickel plated
Dimension	18 mm
Housing length	60 mm
Connection types	Connector M12
Tightening torque max.	40 Nm

#### Ambient conditions

Operating temperature	-25 ... +75 °C
Protection class	IP 67

### Remarks

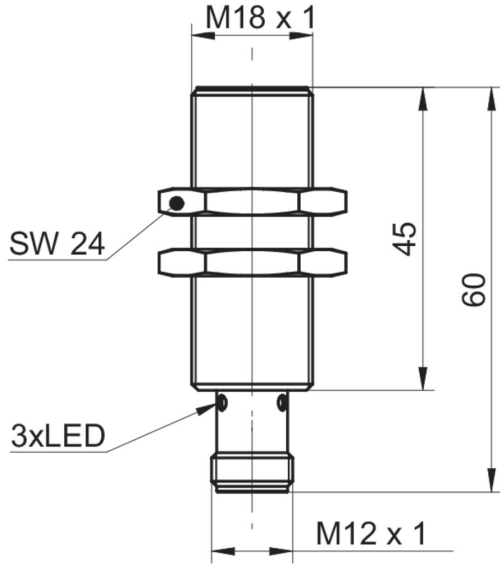
- External Teach-in
- Linear analog output
- Same measuring distance on all metals (no reduction factor)

# IR18.D08F-F60.UA1E.7BO

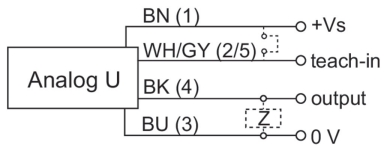
Inductive distance sensors - factor 1 - all metals

Article number: 11170540

## Dimension drawing



## Connection diagram



## Pin assignment

