

Overview

- 2 ... 5 mm
- voltage output
- connector M12
- -10 ... 70 °C
- IP 67



Picture similar



Technical data

General data

Mounting type	Flush
Measuring distance Sd	2 ... 5 mm
Resolution	< 0,005 mm (stat.) < 0,01 mm (dynam.)
Repeat accuracy	< 0,015 mm
Linearity error	± 350 µm
Temperature drift	± 2 % (Full Scale; 0 ... +60 °C) ± 4 % (Full Scale; -10 ... +70 °C)

Electrical data

Response time (factory characteristic)	< 2 ms
Voltage supply range +Vs	12 ... 36 VDC
Current consumption max. (no load)	10 mA
Output circuit	Voltage output

Electrical data

Output signal	1 ... 9 VDC
Load resistance	> 4000 Ohm
Short circuit protection	Yes
Reverse polarity protection	Yes

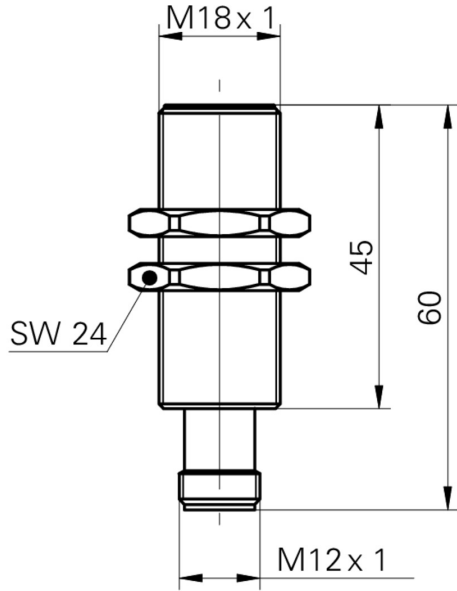
Mechanical data

Type	Cylindrical threaded
Housing material	Brass nickel plated
Dimension	18 mm
Housing length	60 mm
Connection types	Connector M12
Tightening torque max.	40 Nm

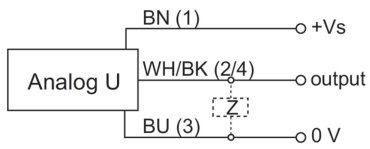
Ambient conditions

Operating temperature	-10 ... +70 °C
Protection class	IP 67

Dimension drawing



Connection diagram



Pin assignment

