

Overview

- 0 ... 6 mm
- voltage output / PNP
- external Teach-in
- connector M12
- -25 ... 75 °C (Vs = 12 ... 30 VDC)
- -25 ... 60 °C (Vs = 12 ... 36 VDC)
- IP 67



Picture similar



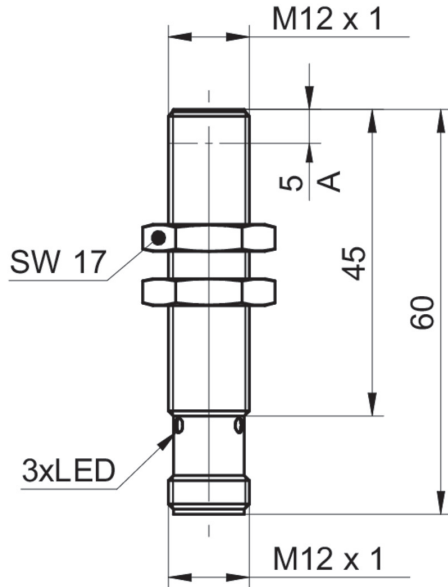
Technical data

General data		Electrical data	
Mounting type	Quasi-flush	Voltage supply range +Vs	12 ... 36 VDC
Special type	2 adjust. switching points Linearized	Current consumption max. (no load)	15 mA
Measuring distance Sd	0 ... 6 mm	Output circuit	Voltage output / PNP
Sensitivity	1,67 V/mm	Output signal	0 ... 10 VDC
Resolution	< 0,003 mm (stat.) < 0,005 mm (dynam., S = 0 ... 4 mm) < 0,022 mm (dynam., S = 0 ... 6 mm)	Load resistance	> 4000 Ohm
Repeat accuracy	< 0,01 mm	Output current	< 100 mA (PNP)
Adjustment	External Teach-in	Short circuit protection	Yes
Teach	1-point analog, window digital, factory re-set	Reverse polarity protection	Yes
Linearity error	± 25 µm (S = 0 ... 4 mm) ± 60 µm (S = 0 ... 6 mm)	Mechanical data	
Temperature drift	± 2 % (Full Scale; S = 0 ... 4 mm) ± 5 % (Full Scale; S = 0 ... 6 mm)	Type	Cylindrical threaded
Output indicator	LED red	Housing material	Brass nickel plated
Teach-Feedback	LED yellow	Dimension	12 mm
Electrical data		Housing length	60 mm
Response time (factory characteristic)	< 1 ms	Connection types	Connector M12
		Tightening torque max.	15 Nm (A: 10 Nm)
		Ambient conditions	
		Operating temperature	-25 ... +75 °C (Vs = 12 ... 30 VDC) -25 ... +60 °C (Vs = 12 ... 36 VDC)
		Protection class	IP 67

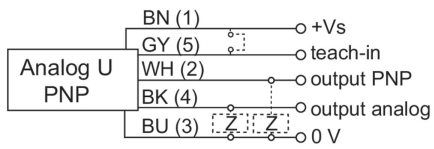
Remarks

- External Teach-in
- Integrated analog- and switching output
- Linear analog output

Dimension drawing



Connection diagram



Pin assignment

