

Overview

- 0 ... 6 mm
- current output
- external Teach-in
- connector M12
- -25 ... 75 °C (Vs = 8 ... 30 VDC)
- -25 ... 60 °C (Vs = 8 ... 36 VDC)
- IP 67



Picture similar



Technical data

General data

Mounting type	Quasi-flush
Special type	Linearized
Measuring distance Sd	0 ... 6 mm
Sensitivity	2,67 mA/mm
Resolution	< 0,003 mm (stat.) < 0,005 mm (dynam., S = 0 ... 4 mm) < 0,022 mm (dynam., S = 0 ... 6 mm)
Repeat accuracy	< 0,01 mm
Adjustment	External Teach-in
Teach	1-point analog, 2-point analog, factory re-set
Linearity error	± 25 µm (S = 0 ... 4 mm) ± 120 µm (S = 0 ... 6 mm)
Temperature drift	± 2 % (Full Scale; S = 0 ... 4 mm) ± 5 % (Full Scale; S = 0 ... 6 mm)
Teach-Feedback	LED yellow

Electrical data

Response time (factory characteristic)	< 1 ms
Voltage supply range +Vs	8 ... 36 VDC

Electrical data

Current consumption max. (no load)	25 mA
Output circuit	Current output
Output signal	4 ... 20 mA
Load resistance	< 50 Ohm/V * Vs - 250 Ohm > 500 Ohm (Vs = 30 ... 36 VDC)
Short circuit protection	Yes
Reverse polarity protection	Yes

Mechanical data

Type	Cylindrical threaded
Housing material	Brass nickel plated
Dimension	12 mm
Housing length	60 mm
Connection types	Connector M12
Tightening torque max.	15 Nm (A: 10 Nm)

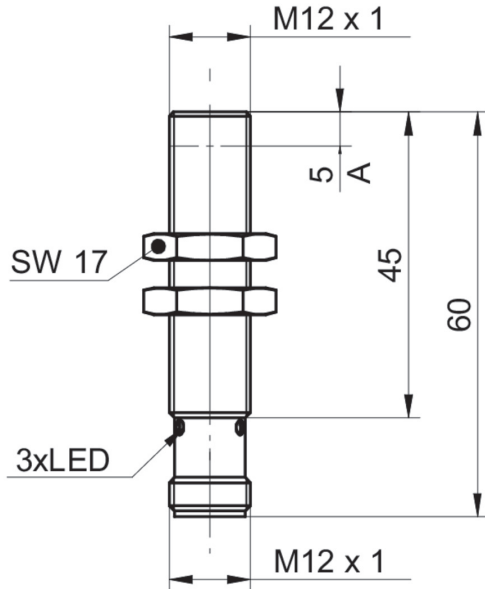
Ambient conditions

Operating temperature	-25 ... +75 °C (Vs = 8 ... 30 VDC) -25 ... +60 °C (Vs = 8 ... 36 VDC)
Protection class	IP 67

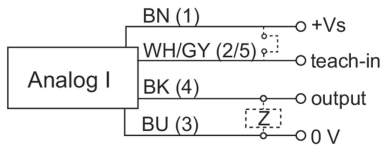
Remarks

- External Teach-in
- Linear analog output

Dimension drawing



Connection diagram



Pin assignment

