

Overview

- 0 ... 4 mm
- voltage output
- cable, 2 m
- -25 ... 75 °C
- IP 67



Picture similar



Technical data

General data

Mounting type	Flush
Measuring distance Sd	0 ... 4 mm
Resolution	< 0,001 mm (stat.) < 0,005 mm (dynam.)
Repeat accuracy	< 0,01 mm
Linearity error	± 80 µm (S = 1 ... 3 mm) ± 280 µm (S = 0 ... 4 mm)
Temperature drift	± 2 % (Full Scale; 0 ... +60 °C) ± 3 % (Full Scale; -25 ... +75 °C)

Electrical data

Response time (factory characteristic)	< 1 ms
Voltage supply range +Vs	12 ... 36 VDC
Current consumption max. (no load)	10 mA

Electrical data

Output circuit	Voltage output
Output signal	0 ... 10 VDC
Load resistance	> 4000 Ohm
Short circuit protection	Yes
Reverse polarity protection	Yes

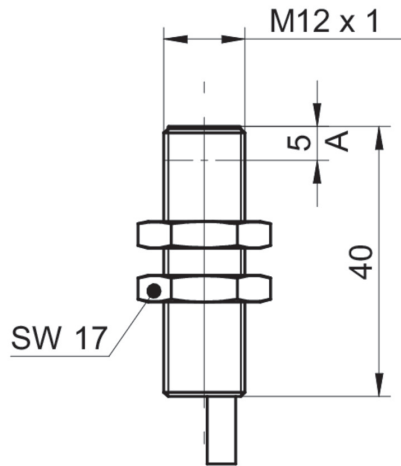
Mechanical data

Type	Cylindrical threaded
Housing material	Brass nickel plated
Dimension	12 mm
Housing length	40 mm
Connection types	Cable, 2 m
Tightening torque max.	15 Nm (A: 10 Nm)

Ambient conditions

Operating temperature	-25 ... +75 °C
Protection class	IP 67

Dimension drawing



Connection diagram

