

**Overview**

- 0 ... 4 mm
- voltage output / PNP
- external Teach-in
- connector M12
- -25 ... 75 °C (Vs = 12 ... 30 VDC)
- -25 ... 60 °C (Vs = 12 ... 36 VDC)
- IP 67



Picture similar



**Technical data**

**General data**

Mounting type	Flush
Special type	2 adjust. switching points Linearized
Measuring distance Sd	0 ... 4 mm
Sensitivity	2,5 V/mm
Resolution	< 0,003 mm (stat.) < 0,005 mm (dynam.)
Repeat accuracy	< 0,01 mm
Adjustment	External Teach-in
Teach	1-point analog, window digital, factory re-set
Linearity error	± 16 µm
Temperature drift	± 4 % (Full Scale)
Output indicator	LED red
Teach-Feedback	LED yellow

**Electrical data**

Response time (factory characteristic)	< 1 ms
Voltage supply range +Vs	12 ... 36 VDC

**Electrical data**

Current consumption max. (no load)	15 mA
Output circuit	Voltage output / PNP
Output signal	0 ... 10 VDC
Load resistance	> 4000 Ohm
Output current	< 100 mA (PNP)
Short circuit protection	Yes
Reverse polarity protection	Yes

**Mechanical data**

Type	Cylindrical threaded
Housing material	Brass nickel plated
Dimension	12 mm
Housing length	60 mm
Connection types	Connector M12
Tightening torque max.	15 Nm (A: 10 Nm)

**Ambient conditions**

Operating temperature	-25 ... +75 °C (Vs = 12 ... 30 VDC) -25 ... +60 °C (Vs = 12 ... 36 VDC)
Protection class	IP 67

**Remarks**

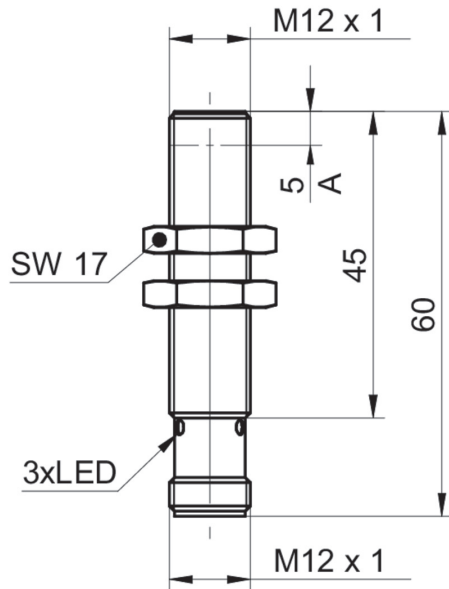
- External Teach-in
- Integrated analog- and switching output
- Linear analog output

# IR12.D04L-F60.UAME.7BF

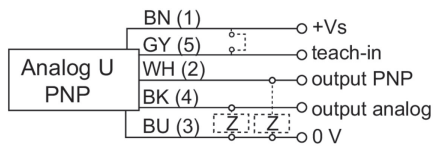
Inductive distance sensors - linearized

Article number: 11130474

## Dimension drawing



## Connection diagram



## Pin assignment

