

**Overview**

- distance measuring
- 0 ... 3 mm
- PNP / push-pull
- IO-Link
- connector M8
- -25 ... 75 °C
- IP 67



Picture similar



**Technical data**

General data		Electrical data	
Mounting type	Flush	Output current	< 100 mA
Special type	Linearized	Short circuit protection	Yes
Type	Distance measuring	Reverse polarity protection	Yes
Measuring distance Sd	0 ... 3 mm	Mechanical data	
Resolution	< 0.005 mm (High Accuracy Mode)	Type	Cylindrical threaded
Repeat accuracy	0.01 mm	Housing material	Stainless steel
Adjustment	IO-Link	Dimension	8 mm
Teach	Single point, Two point, Window	Housing length	46 mm
Linearity error	± 10 µm (S = 0 ... 2 mm) ± 50 µm (S = 0 ... 3 mm)	Connection types	Connector M8
Temperature drift	± 2 % (Full Scale; S = 0 ... 2 mm) ± 4 % (Full Scale; S = 0 ... 3 mm)	Tightening torque max.	10 Nm (A: 7 Nm)
Hysteresis	< 99 % (adjustable)	Ambient conditions	
Power on indication	LED green	Operating temperature	-25 ... +75 °C
Output indicator	LED yellow	Protection class	IP 67
Electrical data		Communication interface	
Response time (factory characteristic)	< 1 ms	Interface	IO-Link V1.1
Switching frequency	< 1.25 kHz	Baud rate	230,4 kBaud (COM 3)
Voltage supply range +Vs	8 ... 36 VDC	Cycle time	≥ 0.6 ms
Current consumption max. (no load)	15 mA	Process data length	32 Bit
Output circuit	PNP Push-pull IO-Link	Process data structure	Bit 0 = SSC1 (distance) Bit 1 = SSC2 (distance) Bit 3 = alarm Bit 4 = SSC3 (frequency) Bit 5 = SSC4 (counter) Bit 16-31 = 16 Bit measurement
		IO-Link port type	Class A

The product features and technical data specified do not express or imply any warranty. Technical modifications subject to change.

**Technical data**

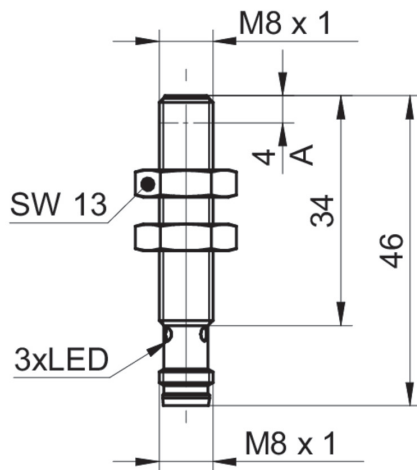
**Communication interface**

Adjustable parameters	Measuring range
	Switching point
	Switching hysteresis
	Measured value filtering
	Time filters
	LED status indicators
	Output logic
	Output circuit
	Counter
	Deactivate the sensor element
	Find Me function

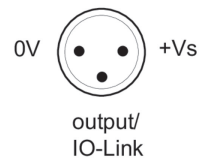
**Communication interface**

Additional data	Distance
	Frequency
	Operating cycles
	Operating hours
	Boot cycles
	Operating voltage
	Device temperature
	Histograms

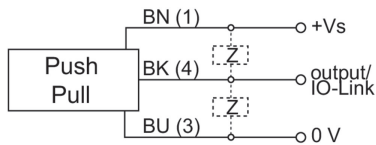
**Dimension drawing**



**Pin assignment**



**Connection diagram**



**Resolution**

